

REVISIONS				
ZONE	REV	DESCRIPTION	DATE	APPROVED

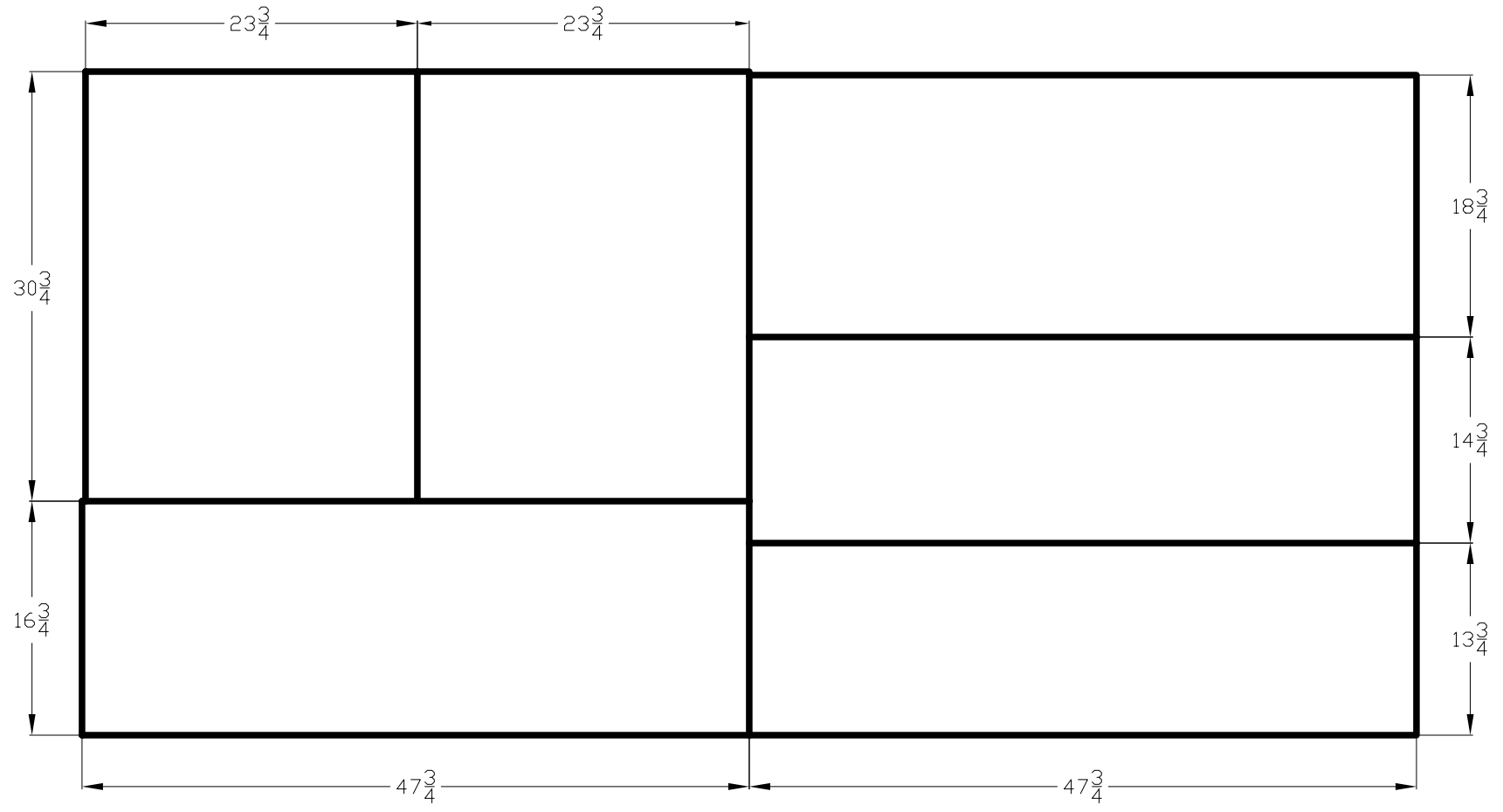
Two-person seating from a single 4-foot by 8-foot sheet of 1/2" plywood.

This design was derived from the Playa Love Seat at www.playatech.com. Changes include: Orientating the back piece on the plywood panel for increased strength and sculpting the sides.

Playatech asks that you donate \$5 to BRAF or BORG2 if you decide to use their plans. How about doing the same if you decide to use these plans? See the Playatech web site for info.

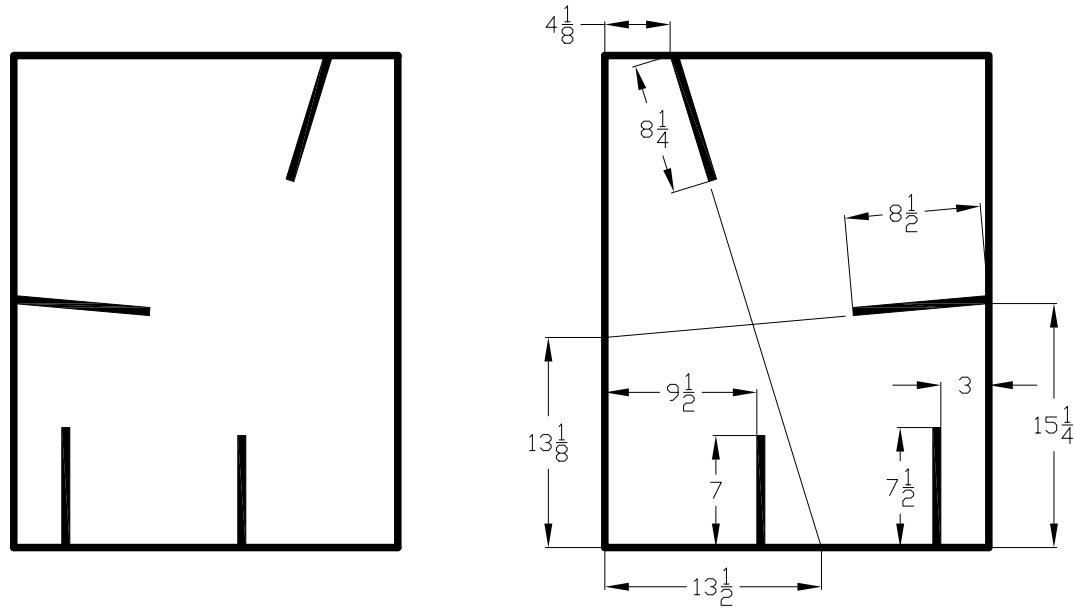
Dangerous Games - Burning Man 2007				
Units are inches	SIZE B	FSCM NO.	DWG NO.	REV A
SCALE 1 : 8		SHEET 1 of 4		

REVISIONS				
ZONE	REV	DESCRIPTION	DATE	APPROVED

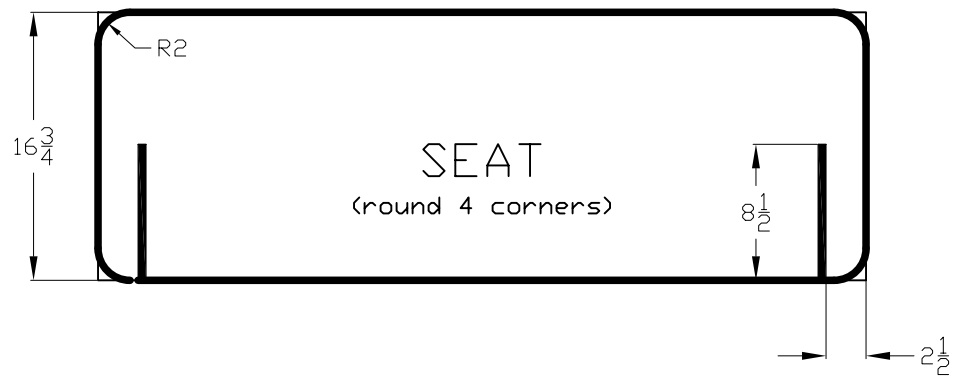
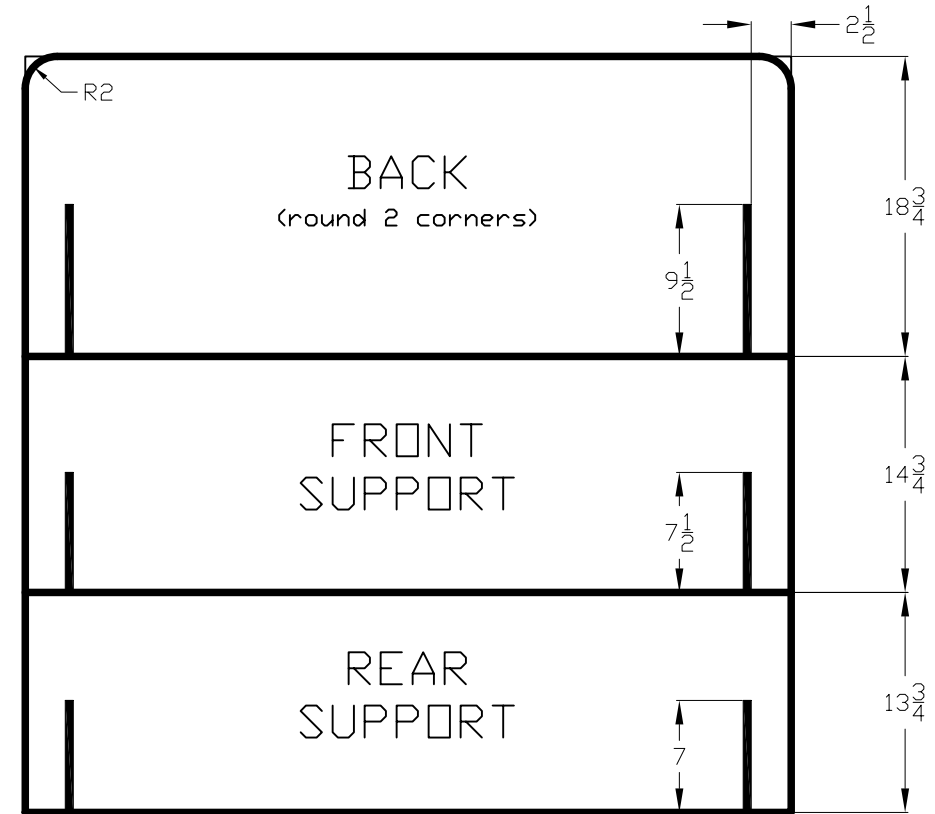


Select 1/2" or 15/32" plywood with one A side (smooth), such as grade ACX.	Dangerous Games - Burning Man 2007			
	Love Seat Panel Cut			
Units are inches	SIZE B	FSCM NO.	DWG NO.	REV A
	SCALE 1" = 1'0"		SHEET 2 of 4	

REVISIONS				
ZONE	REV	DESCRIPTION	DATE	APPROVED



The side panels should be mirror images so that the smooth A side faces the inside of the assembled love seat. You can cut both panels together by clamping them with the A sides facing each other.

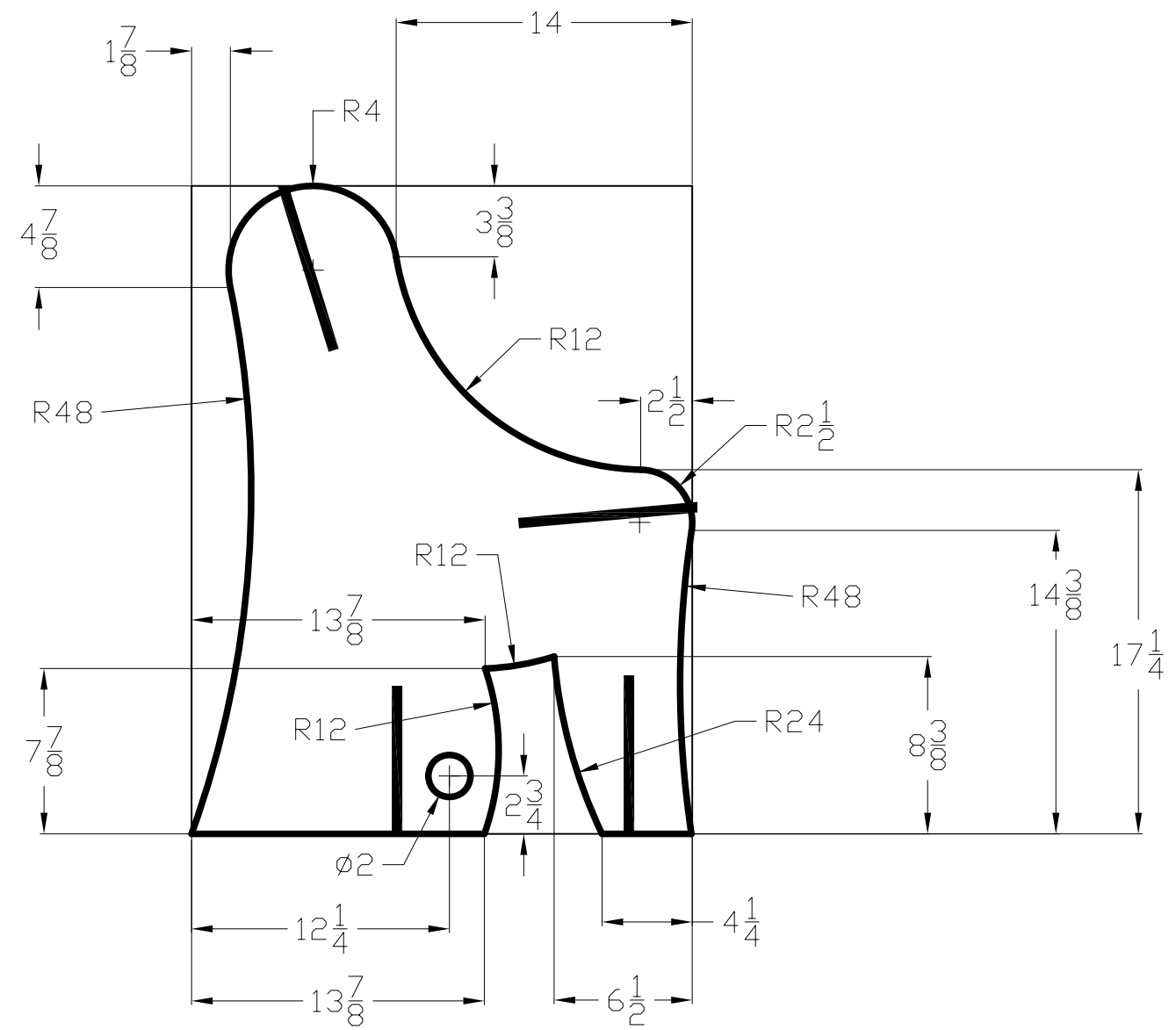


Slots should be wide enough for other pieces of plywood to just slip inside them without rattling.		Dangerous Games - Burning Man 2007		
Love Seat Slot Cut				
Units are inches	SIZE B	FSCM NO.	DWG NO.	REV A
SCALE 1" = 1'0"			SHEET 3 of 4	

love-seat-cutting-diagram

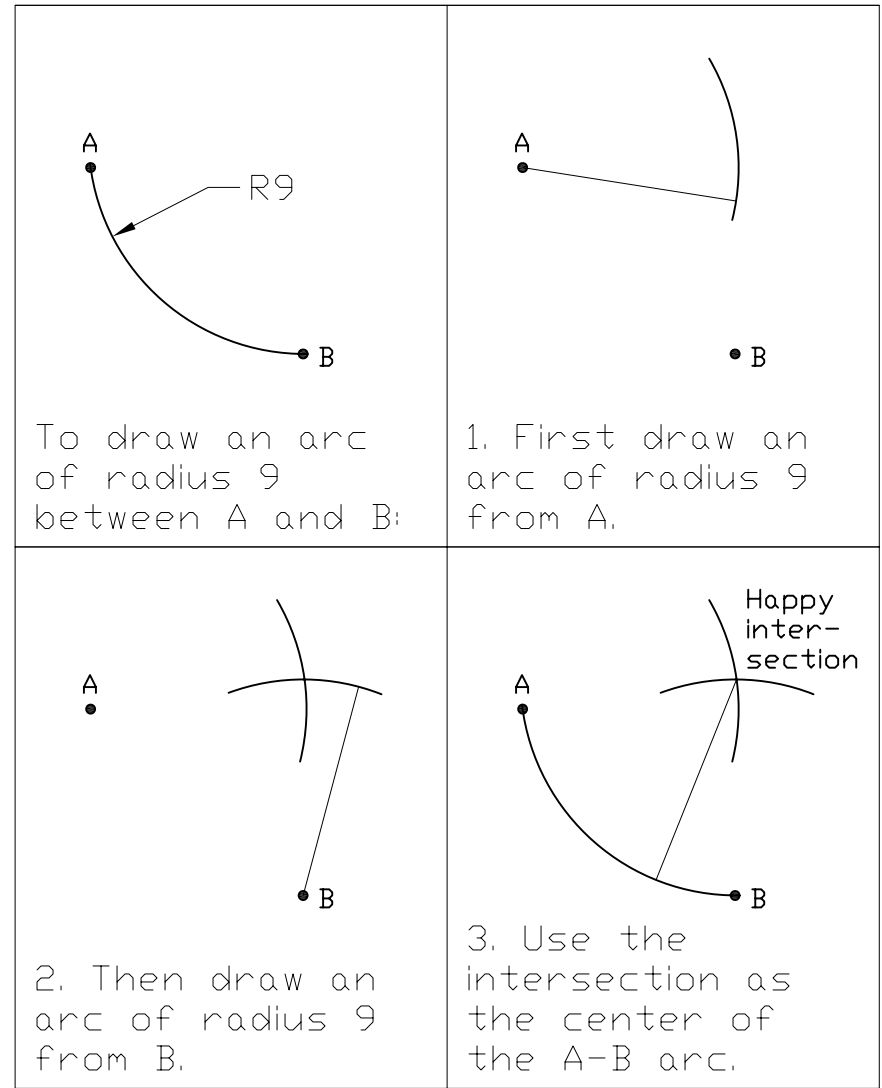
May 8, 2007

Kerry Veenstra



Use the 2" hole in the side panel for a rebar holddown.

REVISIONS				
ZONE	REV	DESCRIPTION	DATE	APPROVED



The right-side diagram shows how to draw the arcs.	Dangerous Games - Burning Man 2007			
	Love Seat Side Detail			
Units are inches	SIZE B	FSCM NO.	DWG NO.	REV A
	SCALE 1 : 8		SHEET 4 of 4	