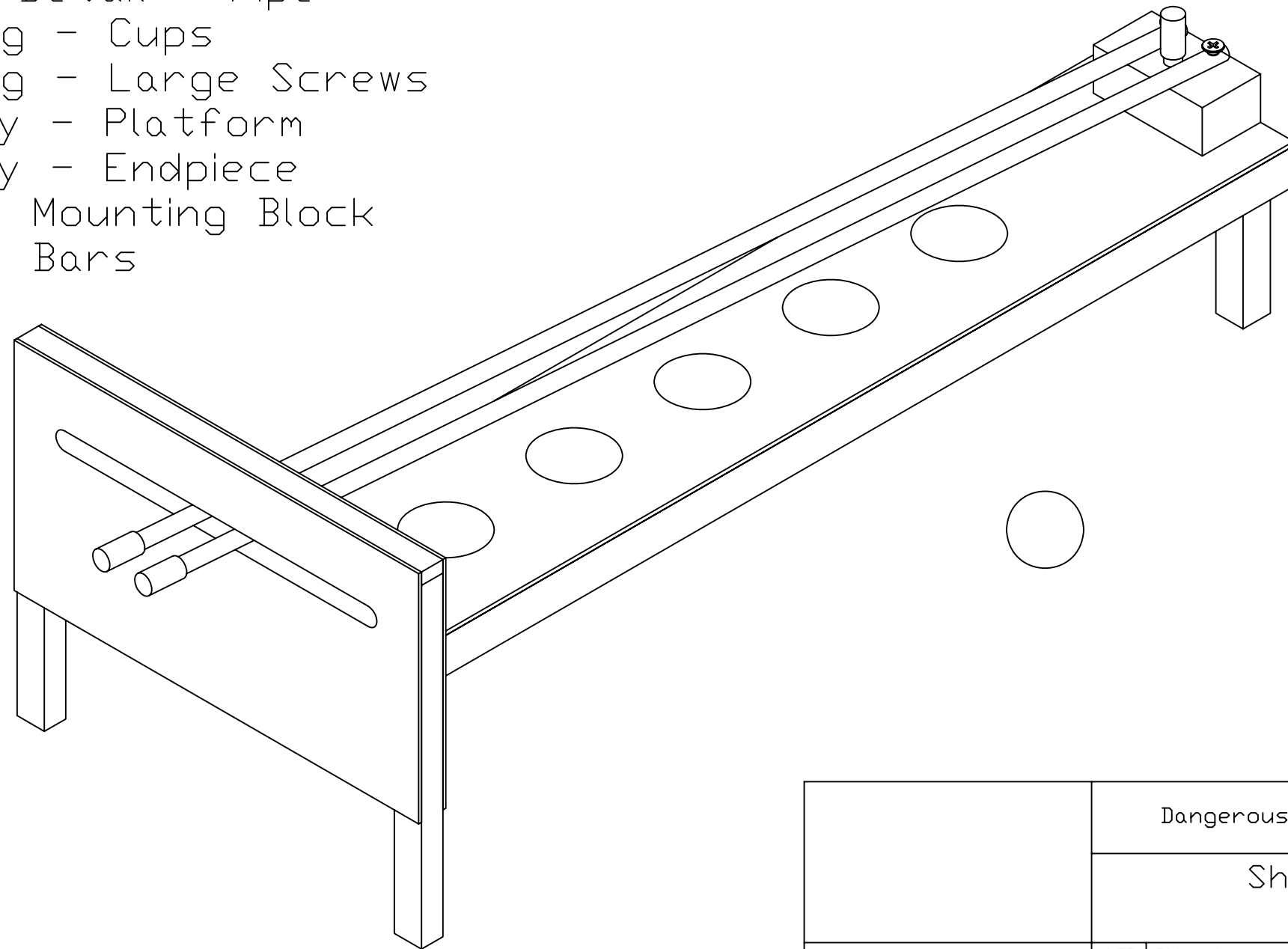


Sheet

- 1 Cover
- 2 Cutting Detail - Various
- 3 Cutting Detail - 2x10s
- 4 Cutting Detail - Plywood
- 5 Cutting Detail - Pipe
- 6 Machining - Cups
- 7 Machining - Large Screws
- 8 Assembly - Platform
- 9 Assembly - Endpiece
- 10 Detail - Mounting Block
- 11 Detail - Bars

REVISIONS				
ZONE	REV	DESCRIPTION	DATE	APPROVED

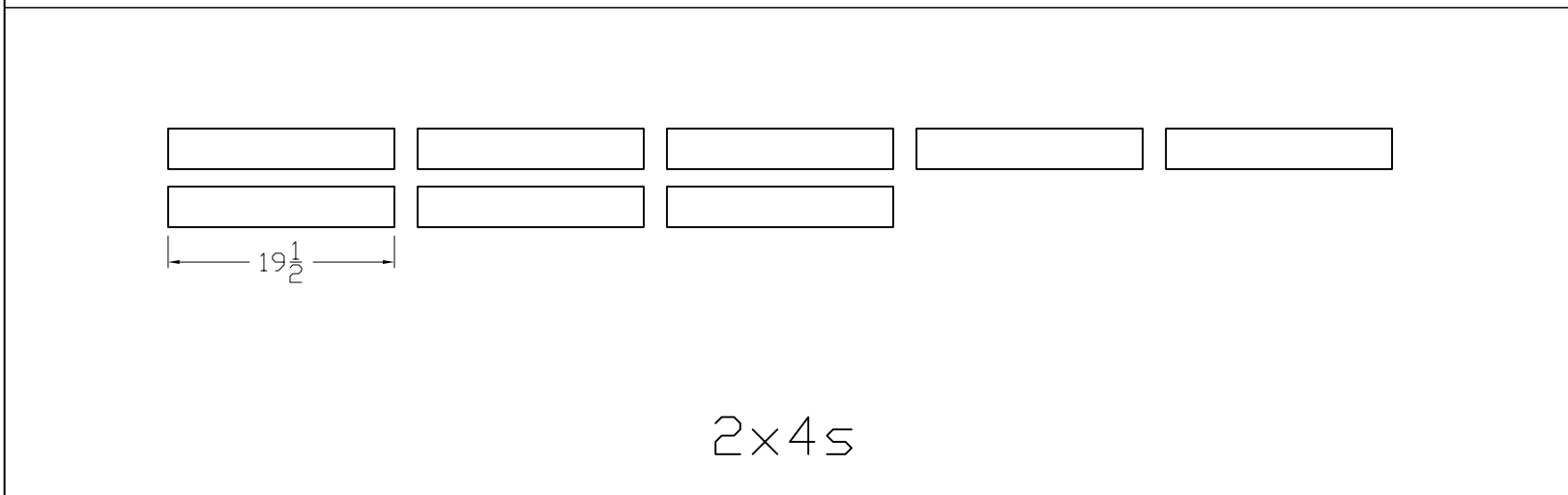
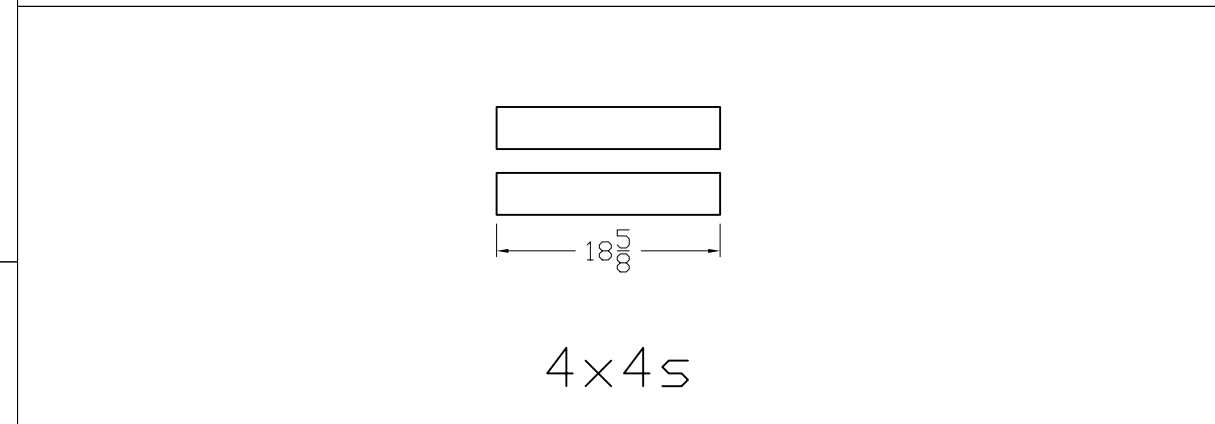
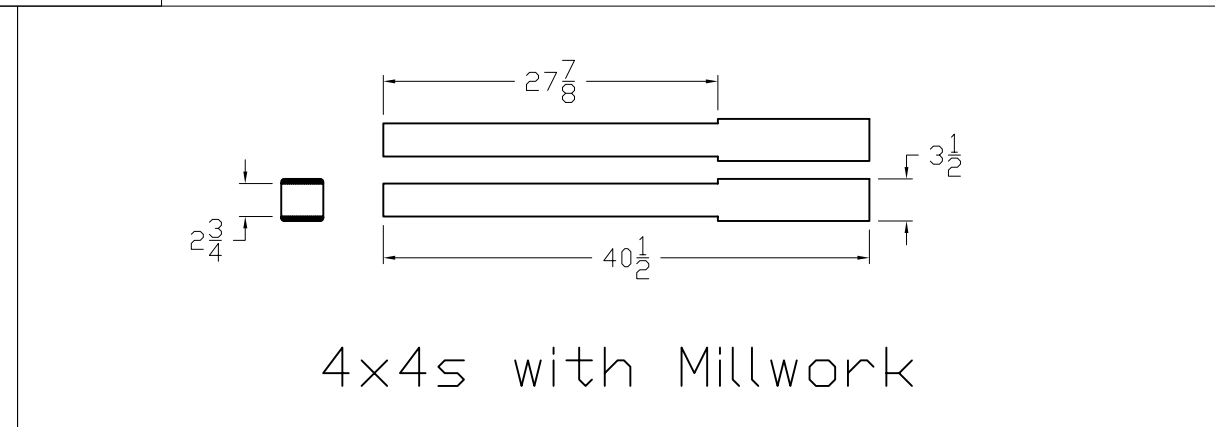
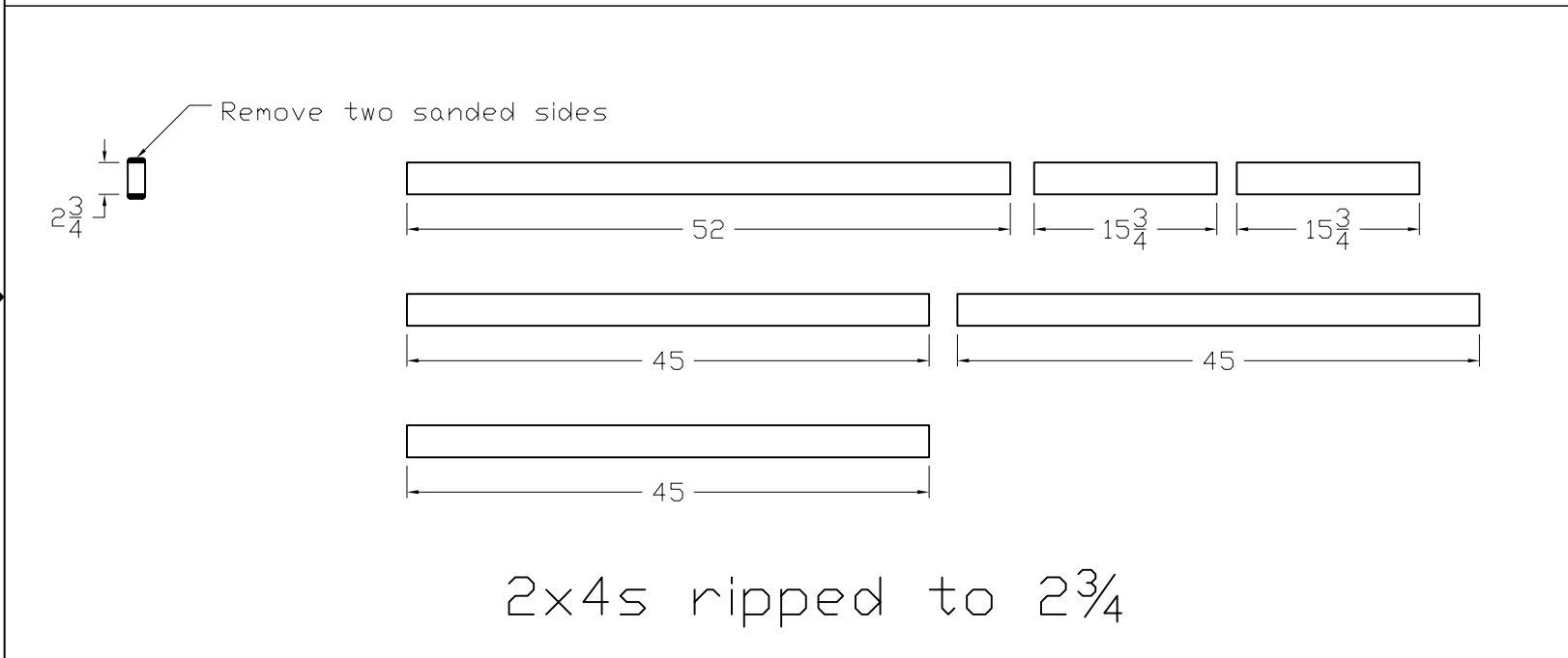
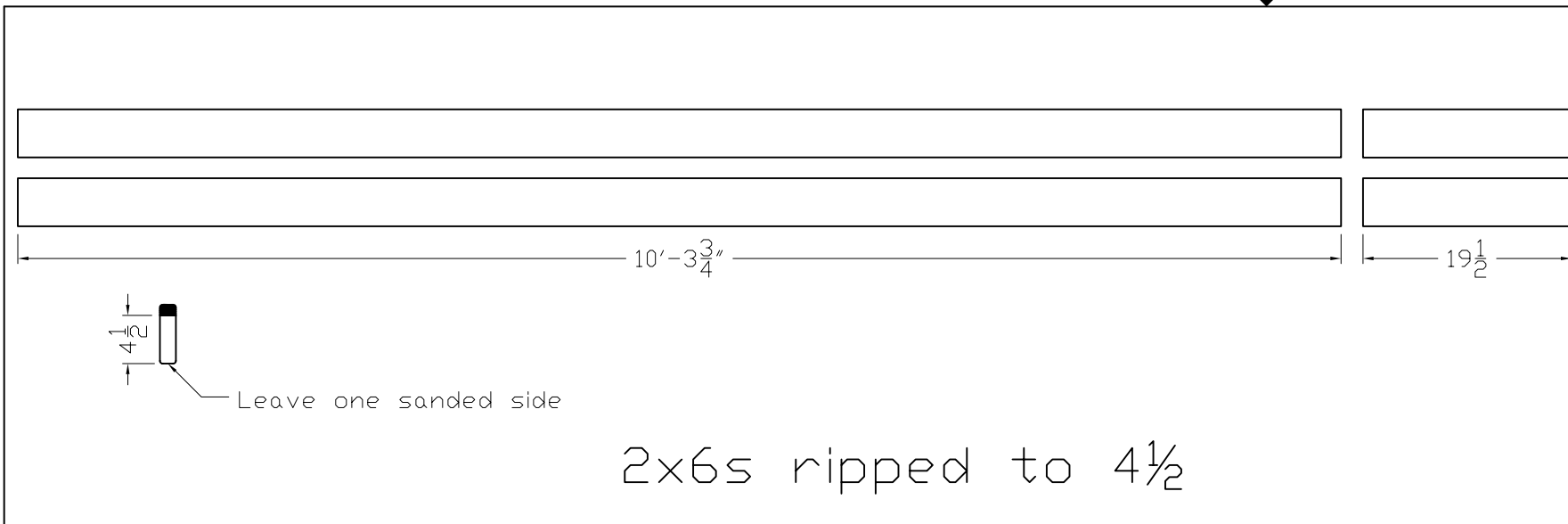


Dangerous Games - Burning Man 2007				
Shoot the Moon Cover Page				
Units are inches	SIZE B	FSCM NO.	DWG NO.	REV A
SCALE	1 : 16	SHEET		1 of 11



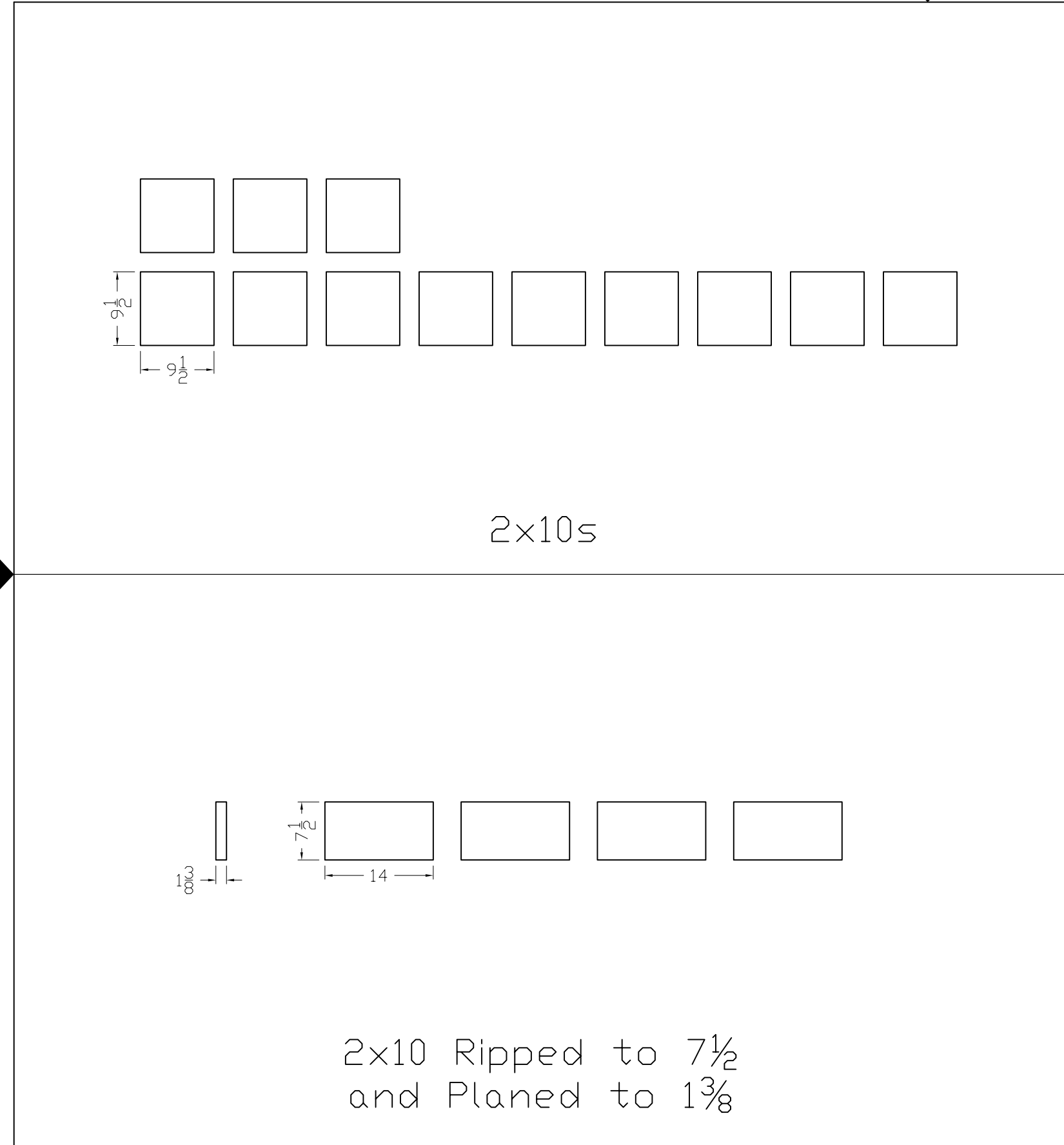
REVISIONS				
ZONE	REV	DESCRIPTION	DATE	APPROVED

--	--	--	--	--



Materials: two 12-ft 2x6s two 6-ft 4x4s three 8-ft 2x4s one 12-ft 2x4	Dangerous Games - Burning Man 2007			
	Shoot the Moon Cutting Detail - Various			
Units are inches	SIZE B	FSCM NO.	DWG NO.	REV A
	SCALE	1 : 16	SHEET	2 of 11





2x10s

2x10 Ripped to 7 1/2
and Planed to 1 3/8

REVISIONS				
ZONE	REV	DESCRIPTION	DATE	APPROVED

Materials:
two 8-ft 2x10s

Dangerous Games - Burning Man 2007

Shoot the Moon
Cutting Detail - 2x10s

Units are inches

SIZE
B

FSCM NO.

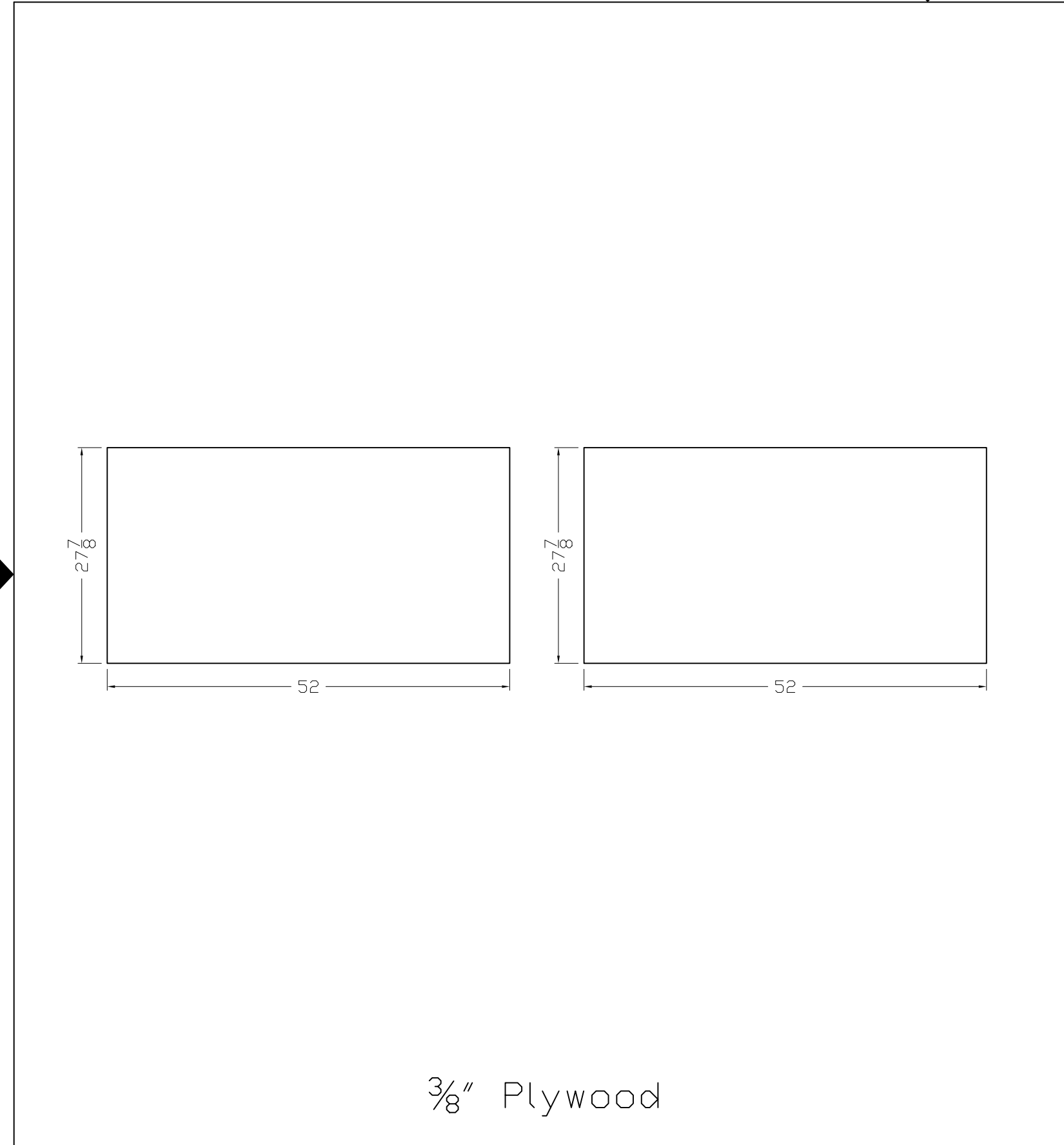
DWG NO.

REV
A

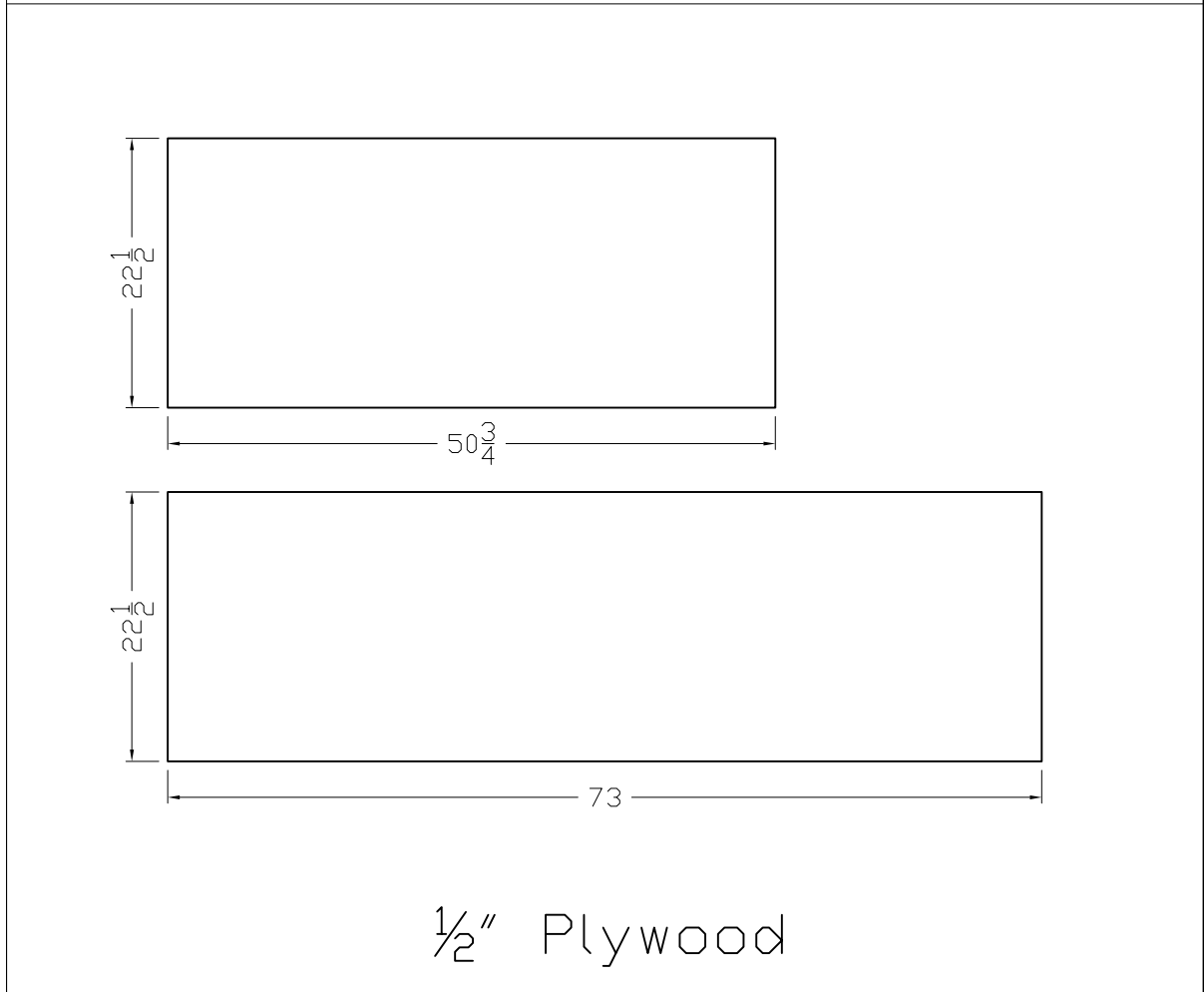
SCALE 1 : 16

SHEET 3 of 11

Kerry Veenstra May 21, 2007 shoot-the-moon



REVISIONS				
ZONE	REV	DESCRIPTION	DATE	APPROVED



Dangerous Games - Burning Man 2007				
Shoot the Moon Cutting Detail - Plywood				
Units are inches	SIZE B	FSCM NO.	DWG NO.	REV A
SCALE	1 : 16	SHEET		4 of 11

shoot—the—moon

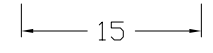
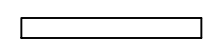
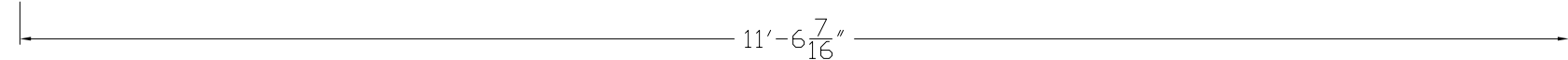
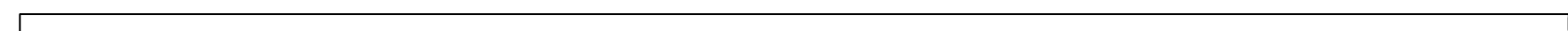
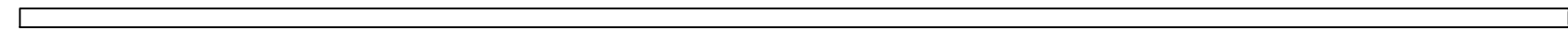
May 21, 2007

Kerry Veenstra



REVISIONS				
ZONE	REV	DESCRIPTION	DATE	APPROVED

1 1/4" Pipe (nominal size) - Unthreaded Ends

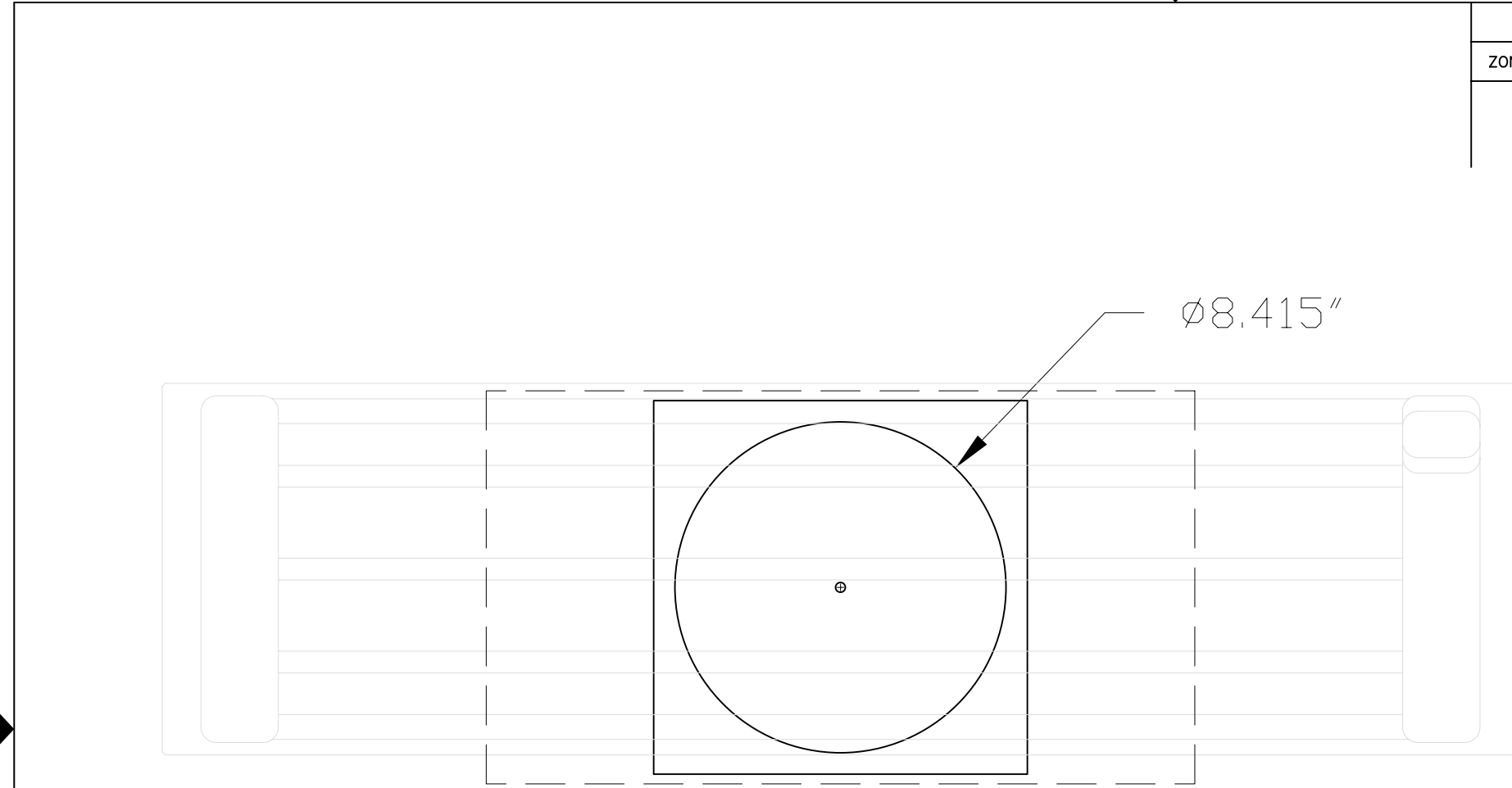


		Dangerous Games - Burning Man 2007		
		Shoot the Moon Cutting Detail - Pipe		
Units are inches	SIZE B	FSCM NO.	DWG NO.	REV A
	SCALE	1 : 16	SHEET	5 of 11

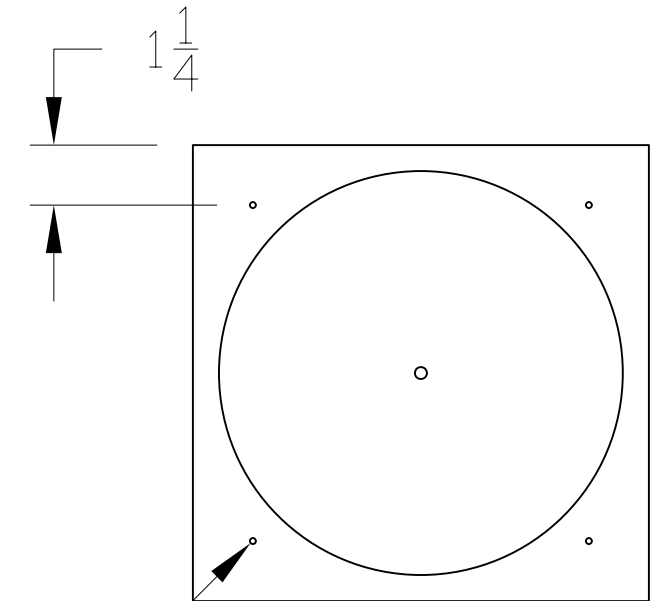
shoot-the-moon

May 21, 2007

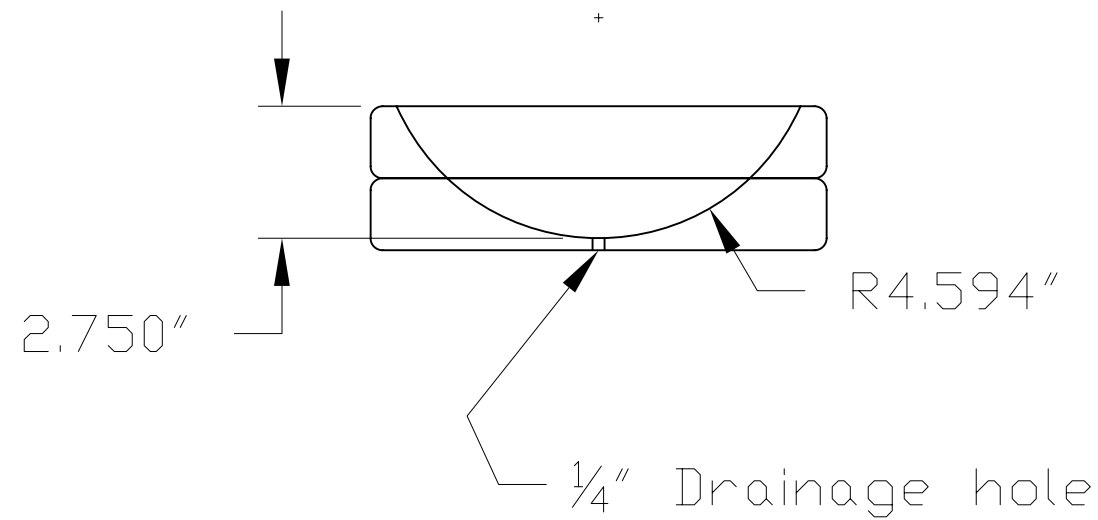
Kerry Veenstra



REVISIONS				
ZONE	REV	DESCRIPTION	DATE	APPROVED



Four #8 x $2\frac{3}{4}$ " wood screws. Installed from back.

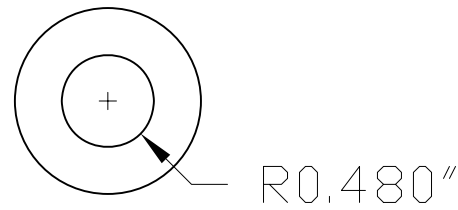
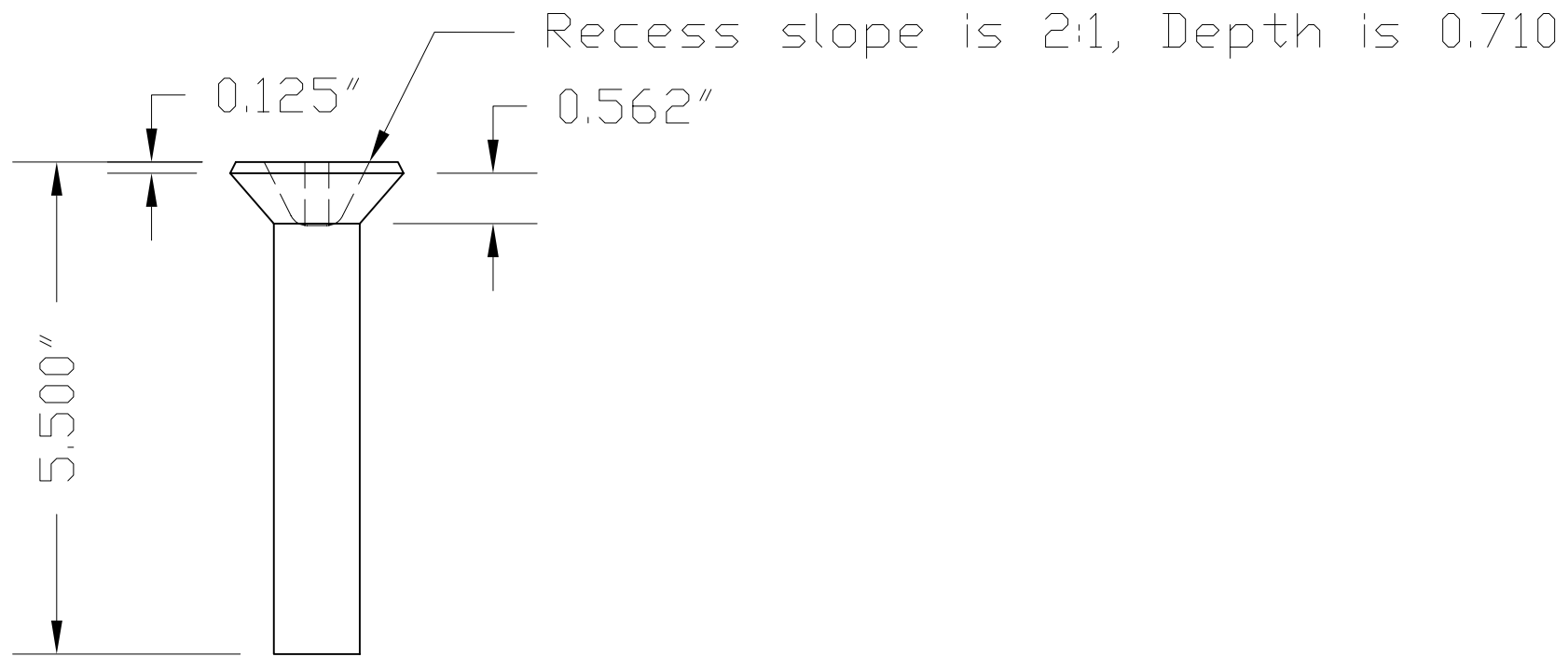
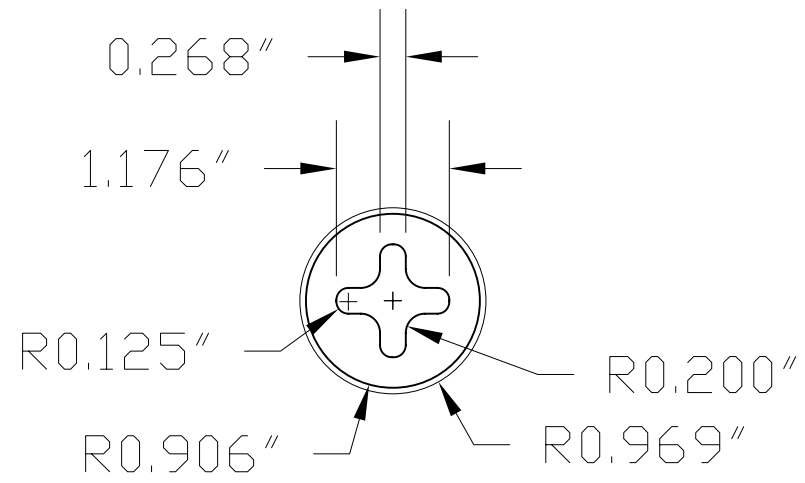


Units are inches		Dangerous Games - Burning Man 2007		
SIZE B		Shoot the Moon Machining - Cups		
SCALE 1 : 4		FSCM NO.	DWG NO.	REV A
SHEET 6 of 11				

shoot-the-moon

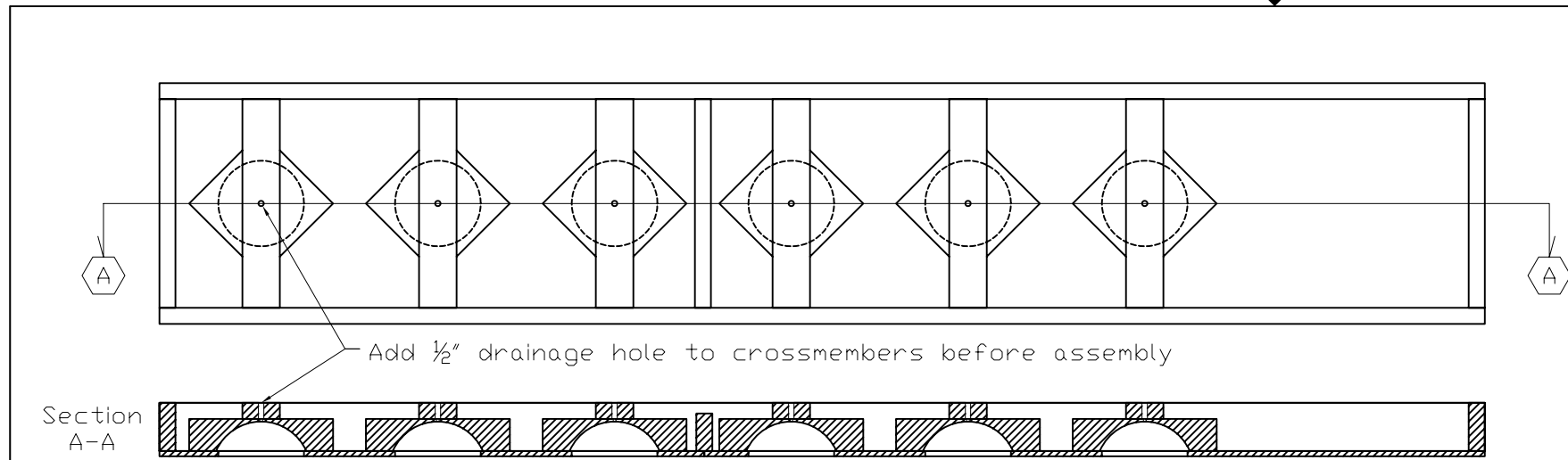
May 21, 2007

Kerry Veenstra

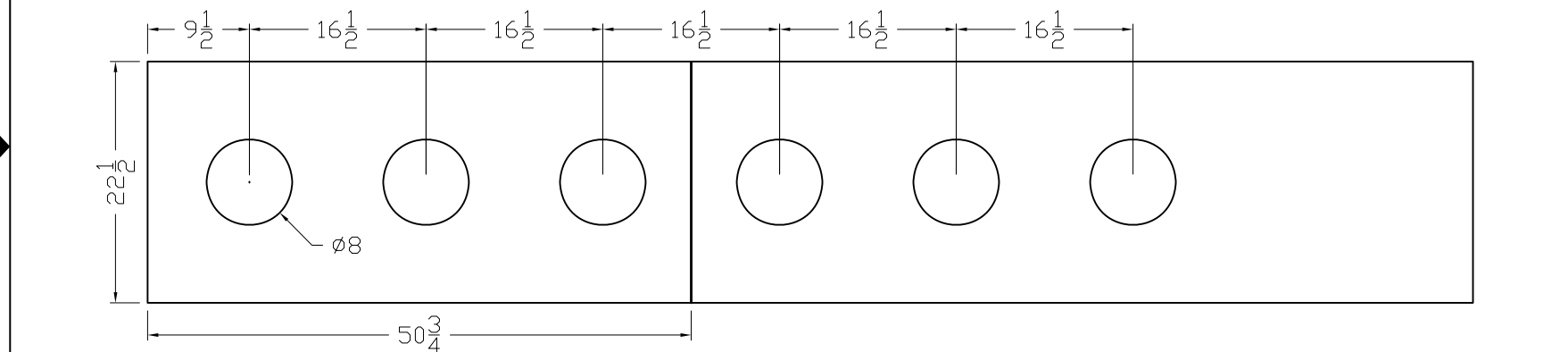


REVISIONS				
ZONE	REV	DESCRIPTION	DATE	APPROVED

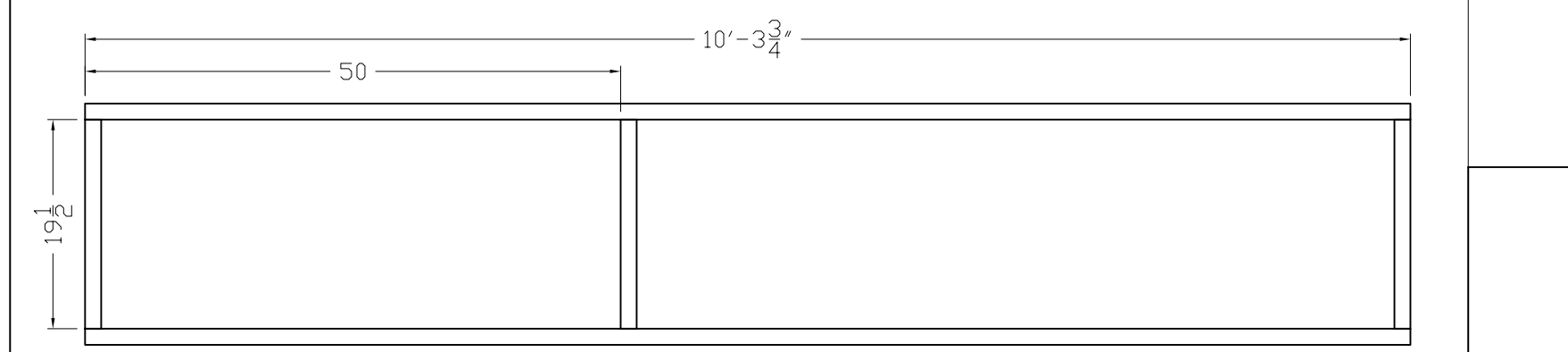
Material: Aluminum	Dangerous Games - Burning Man 2007			
	Shoot the Moon Machining - Large Screws			
Units are inches	SIZE B	FSCM NO.	DWG NO.	REV A
	SCALE 1 : 2		SHEET 7 of 11	



Step 3: Invert Assembly and Center Cups Over Holes



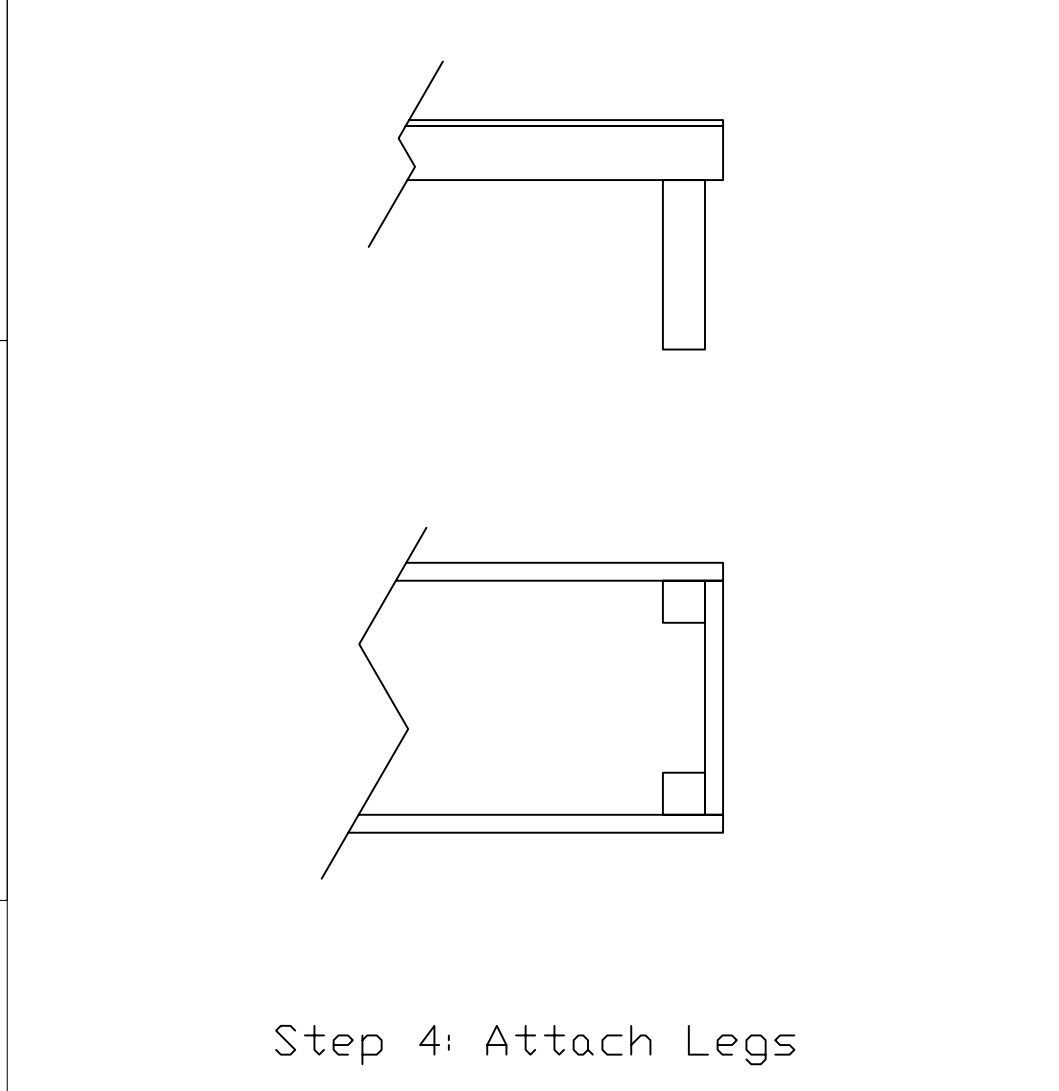
Step 2: Attach Plywood and Cut Holes



Step 1: Assemble Basic Frame

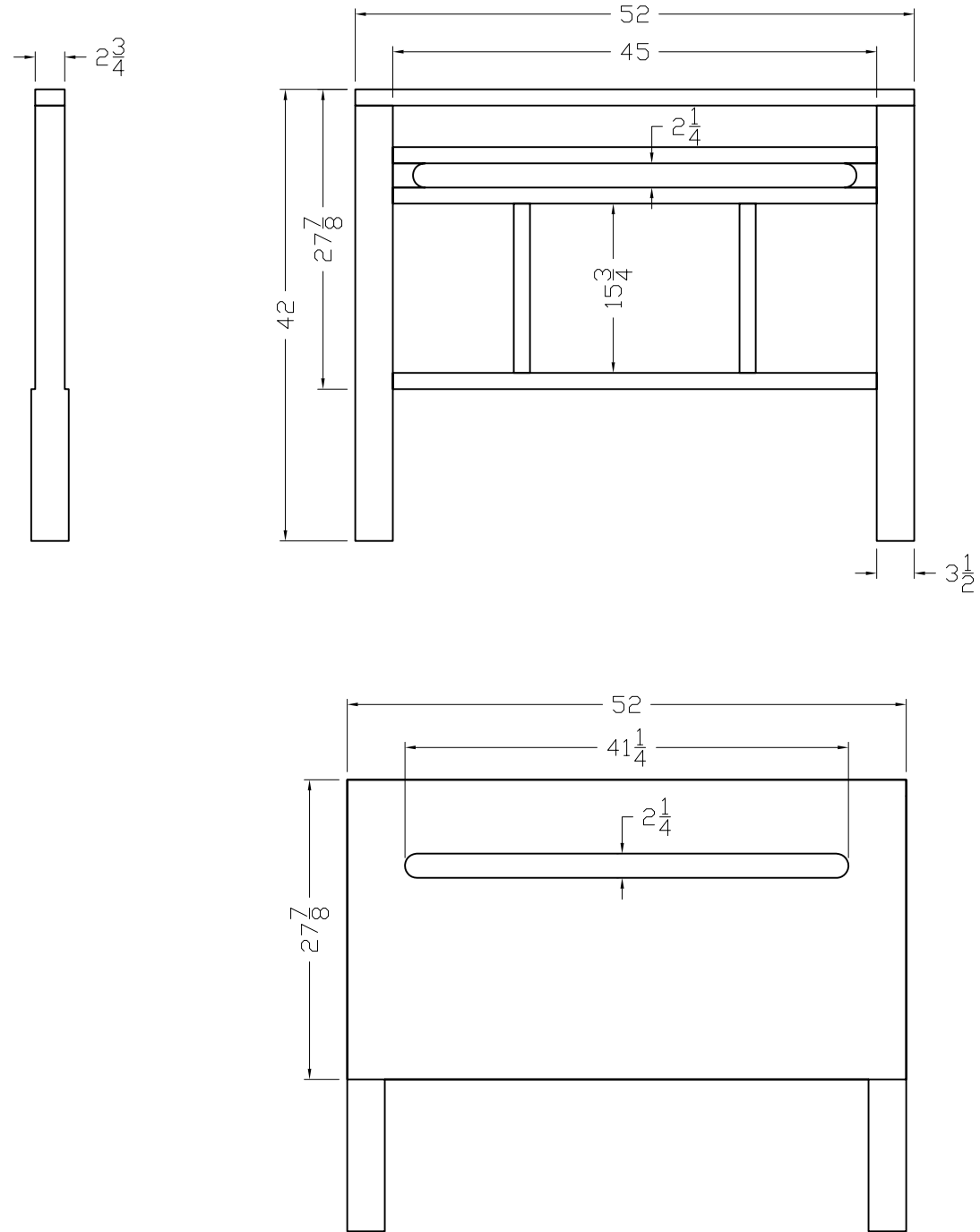
REVISIONS				
ZONE	REV	DESCRIPTION	DATE	APPROVED

--	--	--	--	--

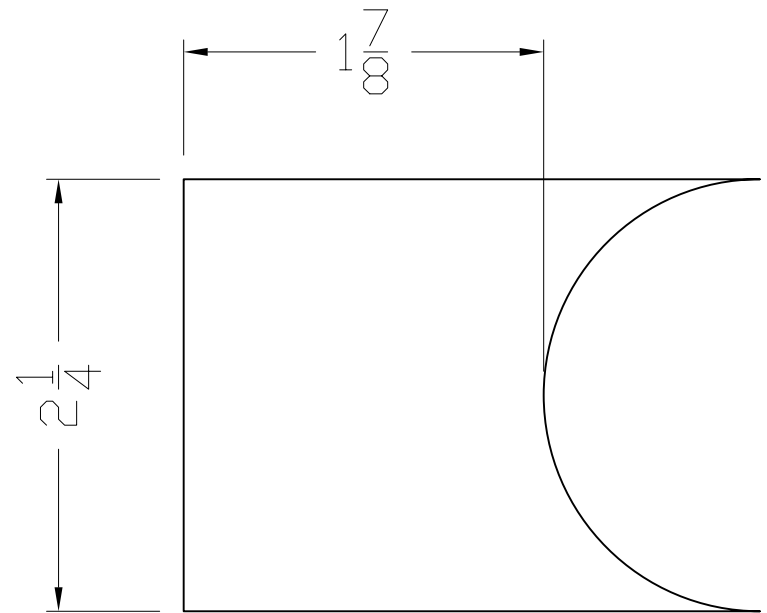


Step 4: Attach Legs

Dangerous Games - Burning Man 2007				
Shoot the Moon Assembly - Platform				
Units are inches	SIZE B	FSCM NO.	DWG NO.	REV A
SCALE 1 : 16		SHEET 8 of 11		

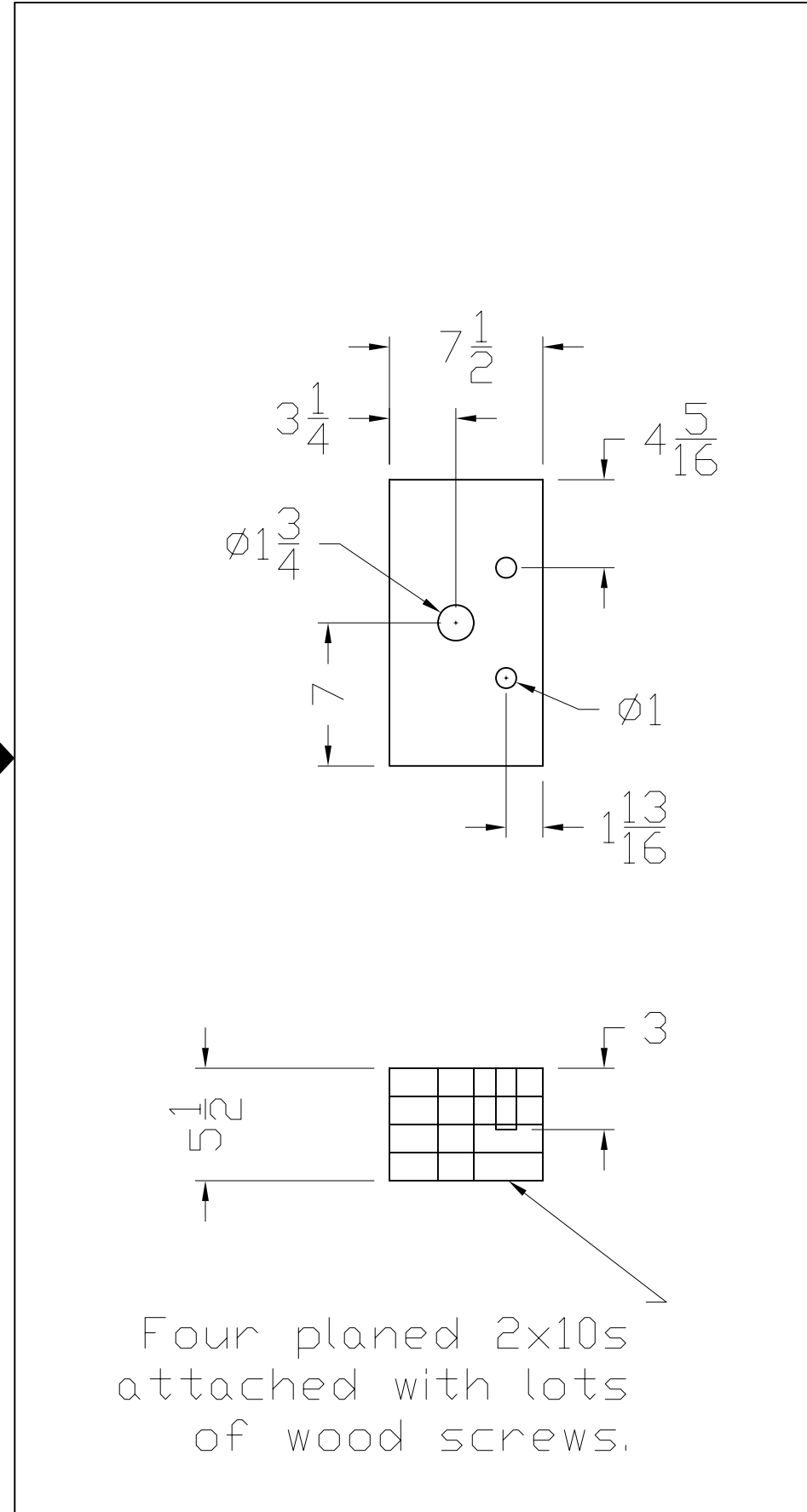


REVISIONS				
ZONE	REV	DESCRIPTION	DATE	APPROVED



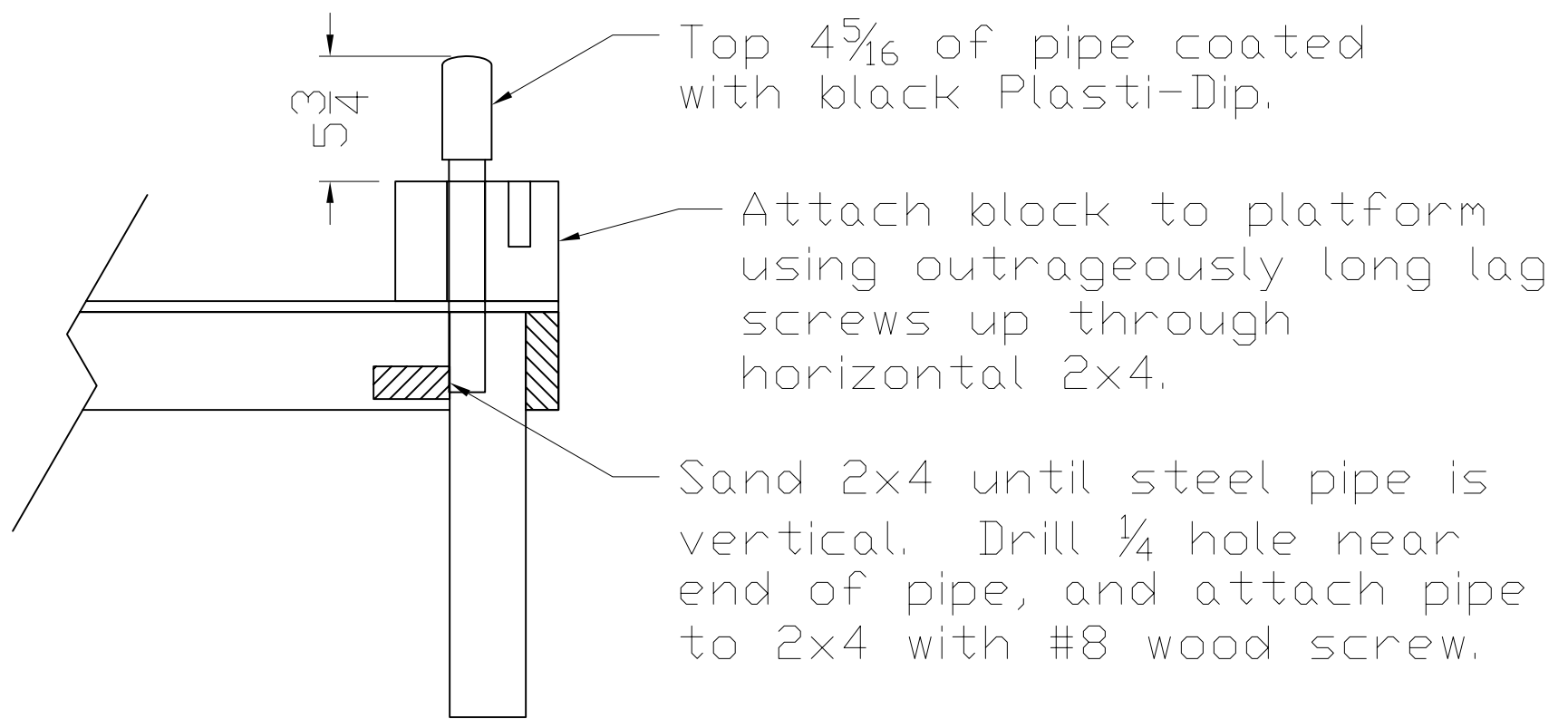
Detail - Filler
scale 1:1

Units are inches		SIZE B	FSCM NO.	DWG NO.	REV A
SCALE 1 : 16		SHEET 9 of 11		Dangerous Games - Burning Man 2007	
Shoot the Moon Assembly - Endpiece					



Four planed 2x10s attached with lots of wood screws.

REVISIONS				
ZONE	REV	DESCRIPTION	DATE	APPROVED

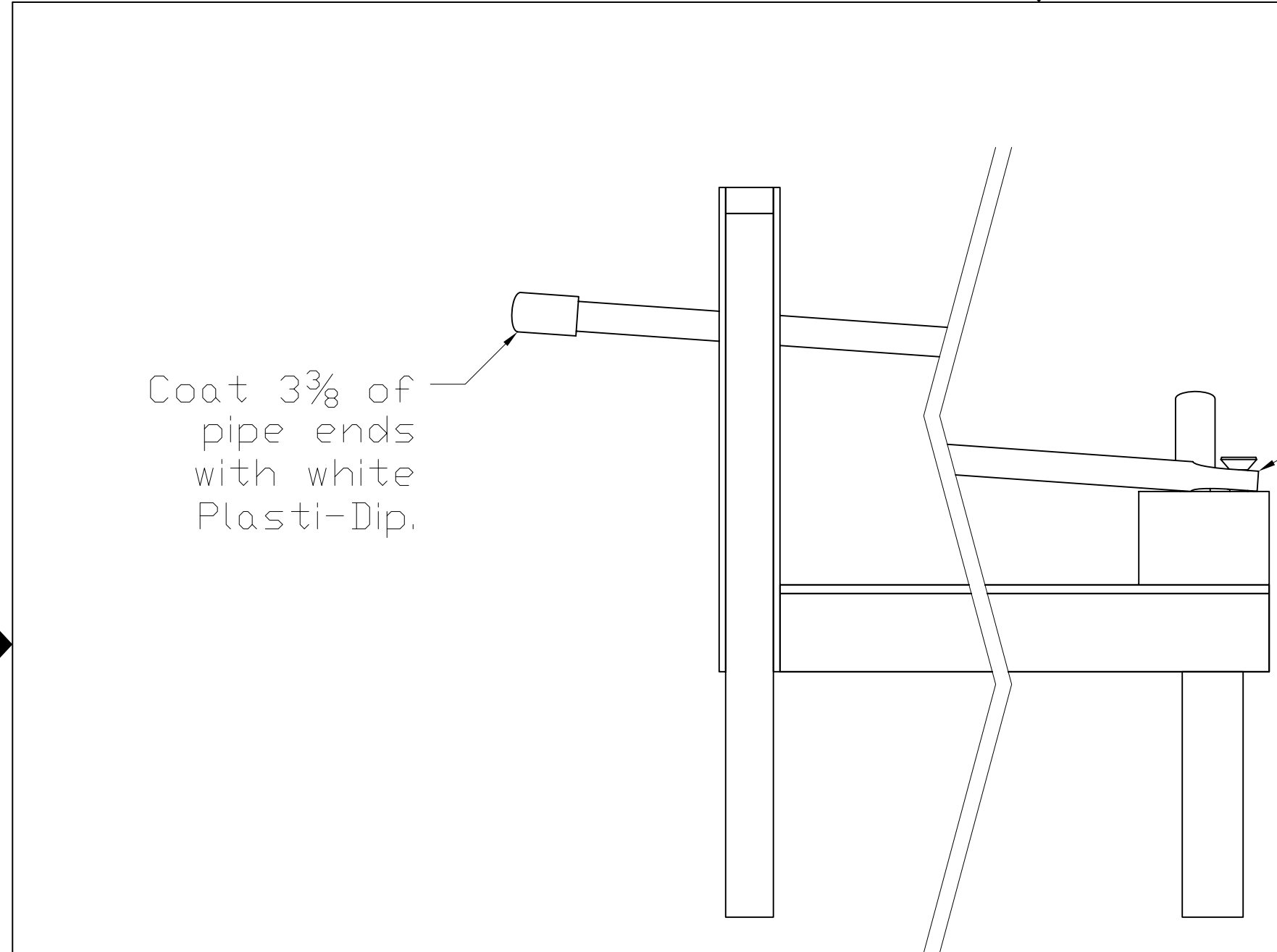


Dangerous Games - Burning Man 2007					
Shoot the Moon Detail - Mounting Block					
Units are inches	<table border="1"> <tr> <td>SIZE B</td> <td>FSCM NO.</td> <td>DWG NO.</td> <td>REV A</td> </tr> </table>	SIZE B	FSCM NO.	DWG NO.	REV A
SIZE B	FSCM NO.	DWG NO.	REV A		
SCALE 1 : 8	SHEET 10 of 11				

shoot-the-moon

May 21, 2007

Kerry Veenstra



Coat $3\frac{3}{8}$ of
pipe ends
with white
Plasti-Dip.

Flatten pipe ends, place
pipes in position, and
drill 1-dia holes through
the ends for the large
screws. These
connections should be
snug to prevent the
bars from shifting
during use.

REVISIONS				
ZONE	REV	DESCRIPTION	DATE	APPROVED

Dangerous Games - Burning Man 2007				
Shoot the Moon Detail - Bars				
Units are inches	SIZE B	FSCM NO.	DWG NO.	REV A
SCALE 1 : 8		SHEET 11 of 11		