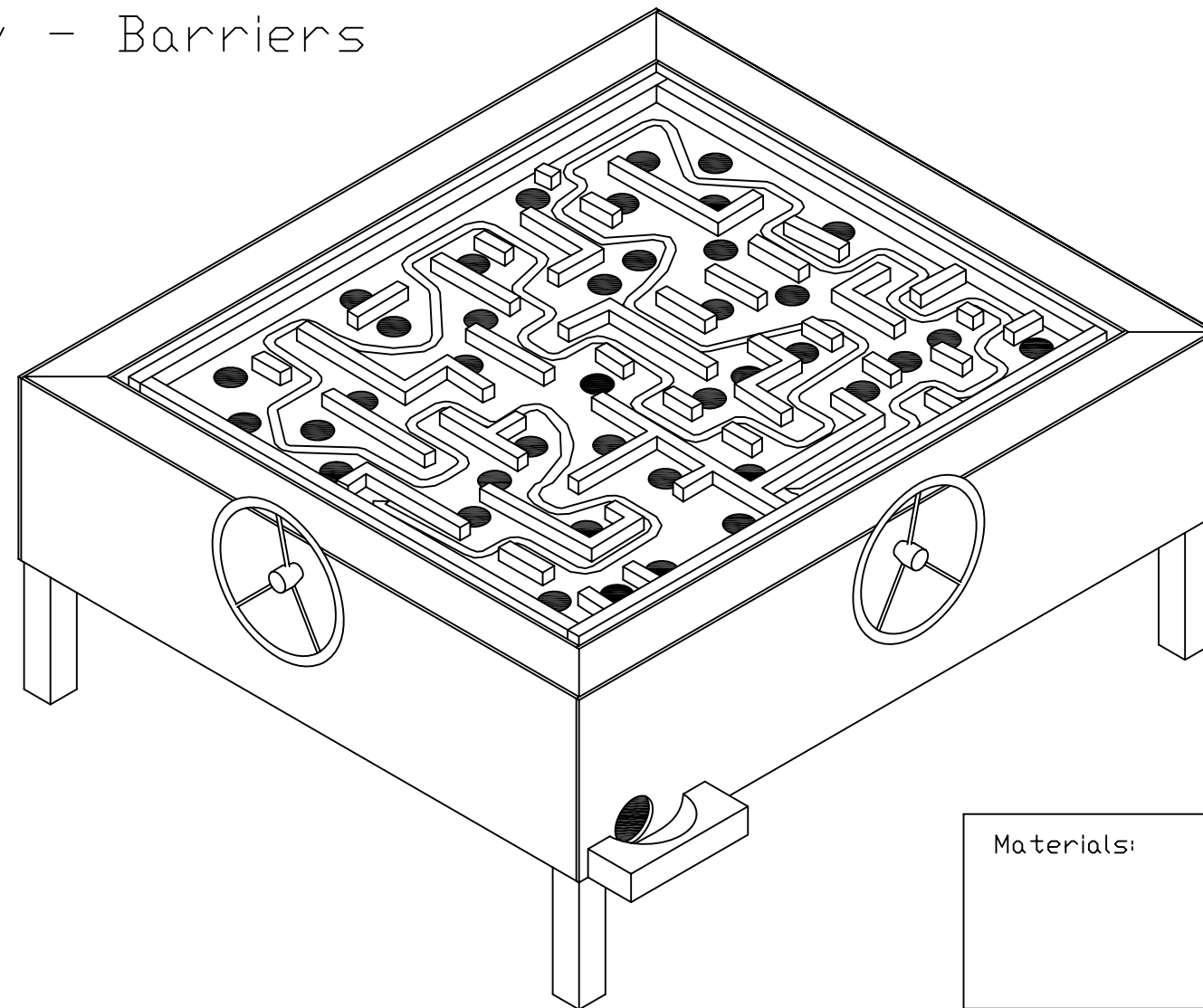


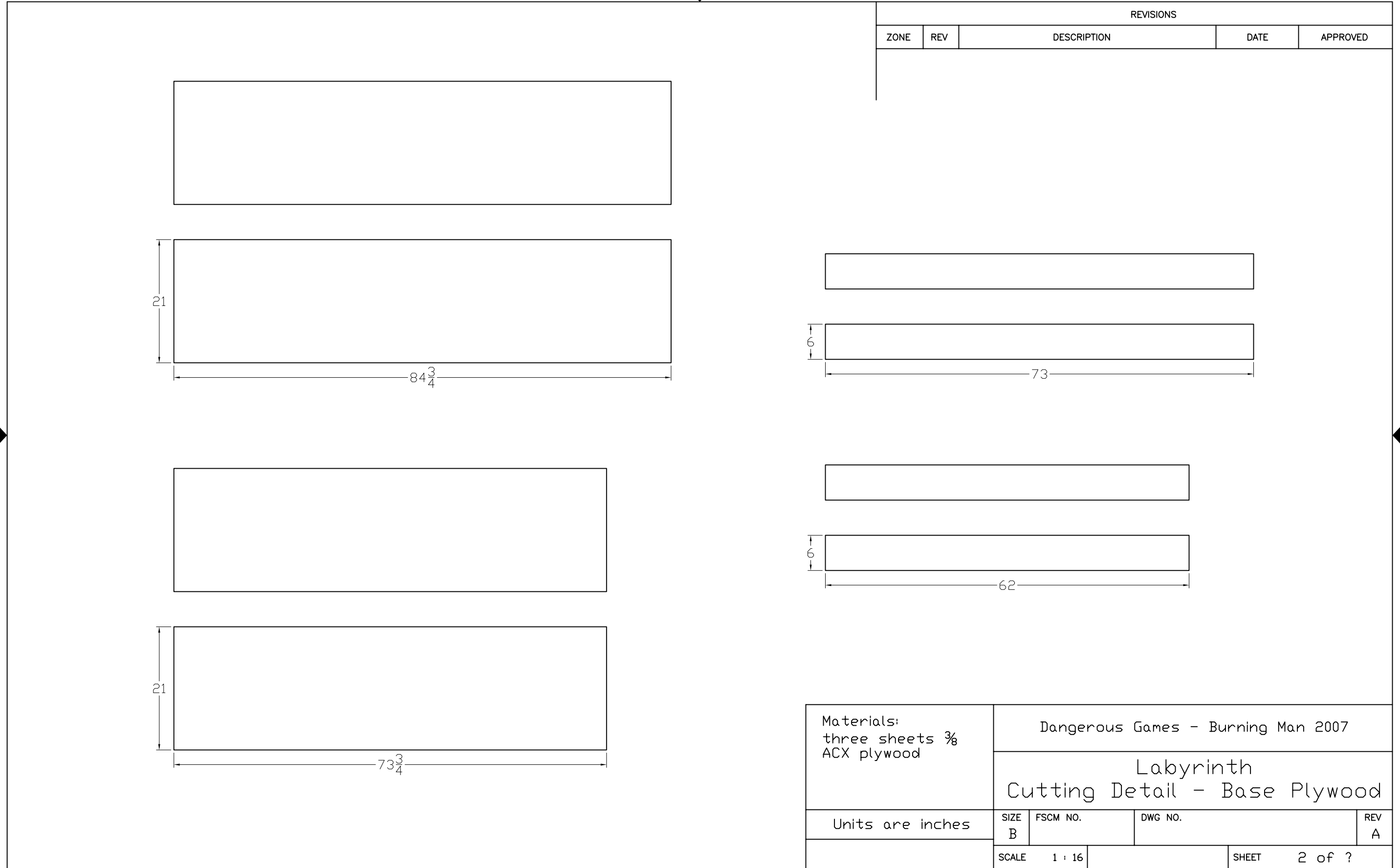
Sheet

- 1 Cover
- 2 Cutting Detail - Base Plywood
- 3 Cutting Detail - Base Pieces
- 4 Cutting Detail - Maze
- 5 Assembly - Base
- 6 Assembly - Maze - Part 1
- 7 Assembly - Maze - Part 2
- 8 Assembly - Barriers

REVISIONS				
ZONE	REV	DESCRIPTION	DATE	APPROVED

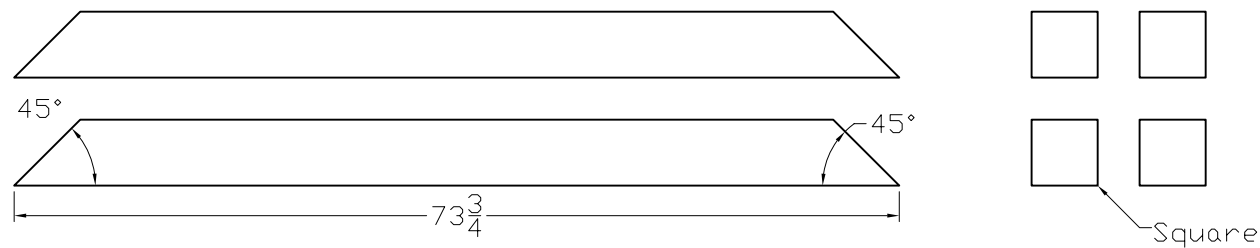
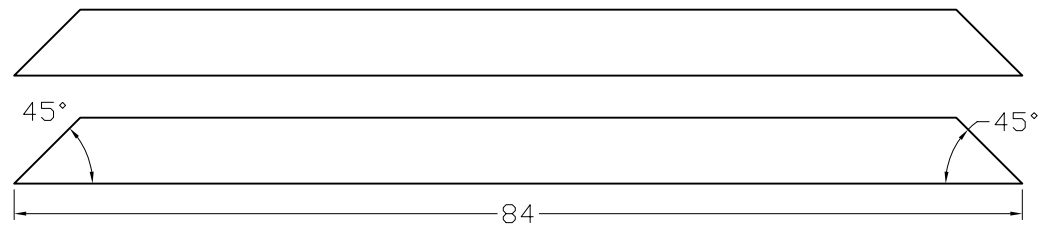


Materials:	Dangerous Games - Burning Man 2007			
	Labyrinth Cover Sheet			
Units are inches	SIZE B	FSCM NO.	DWG NO.	REV A
	SCALE 1 : 20		SHEET 1 of ?	

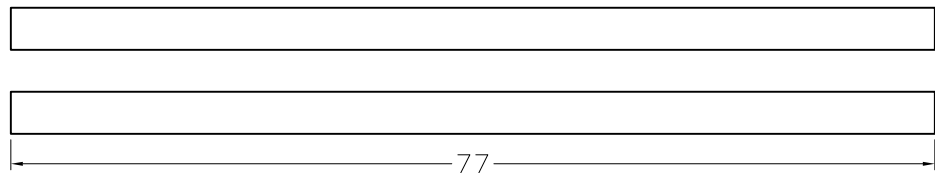
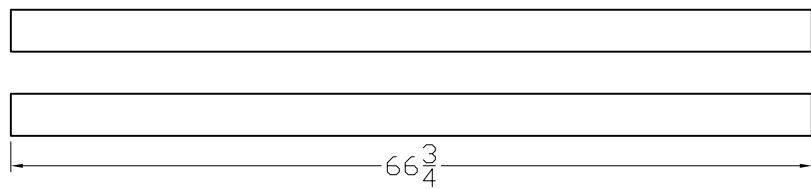


REVISIONS				
ZONE	REV	DESCRIPTION	DATE	APPROVED

Materials: three sheets $\frac{3}{8}$ ACX plywood	Dangerous Games - Burning Man 2007			
	Labyrinth Cutting Detail - Base Plywood			
Units are inches	SIZE B	FSCM NO.	DWG NO.	REV A
	SCALE	1 : 16	SHEET	2 of ?

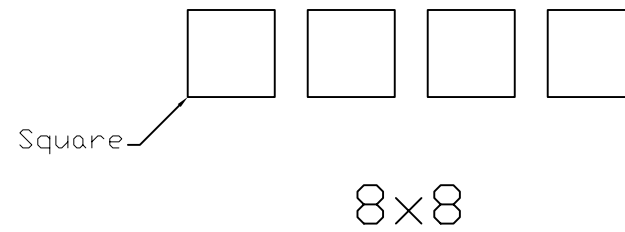


2x6s

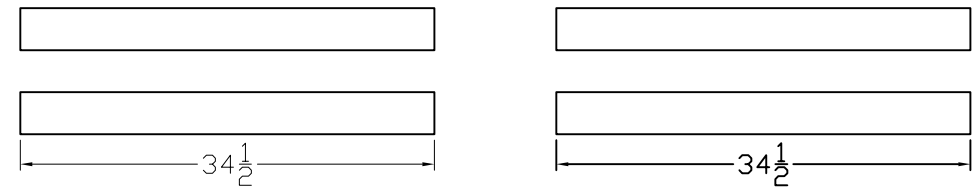


2x4s

REVISIONS				
ZONE	REV	DESCRIPTION	DATE	APPROVED

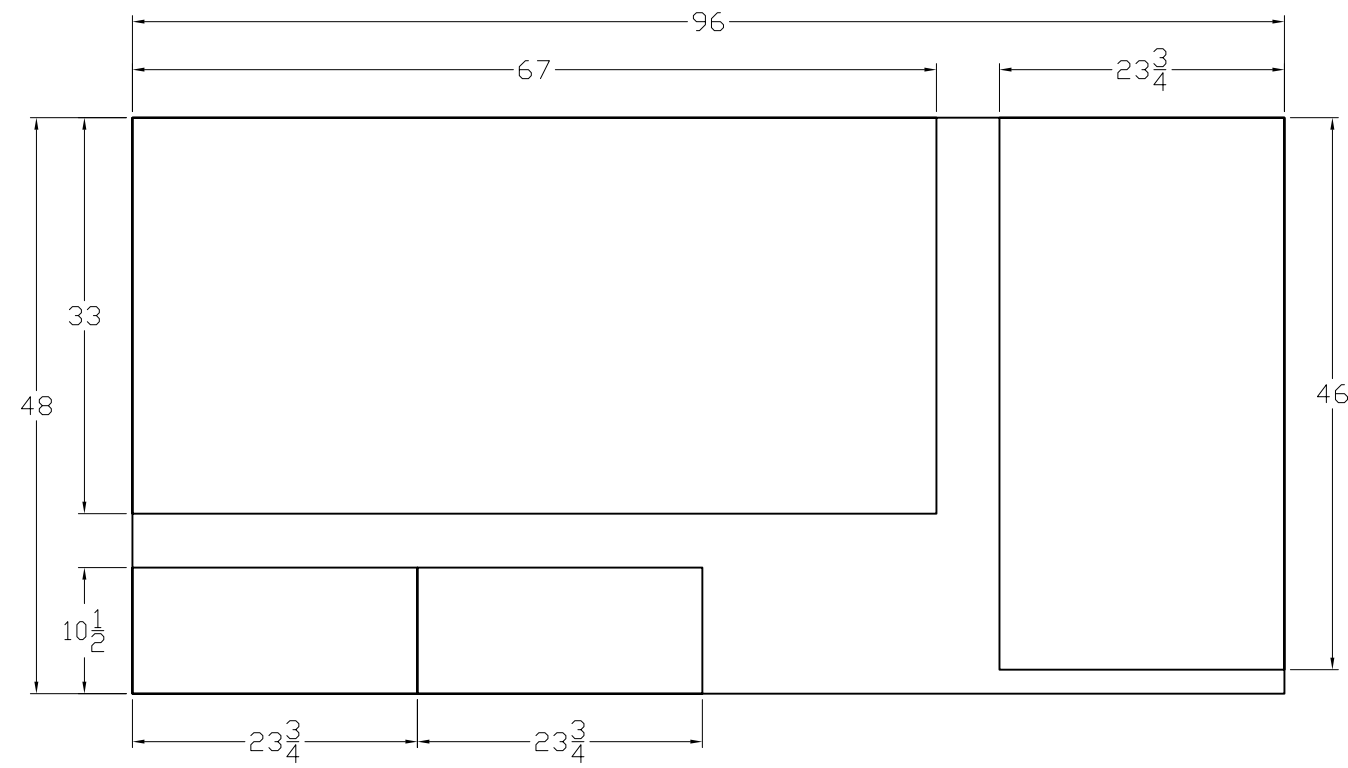


8x8



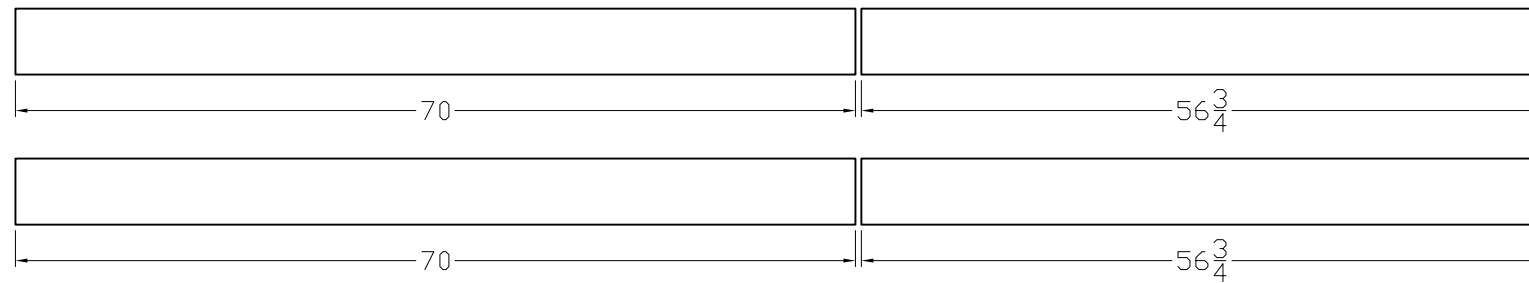
4x4s

Materials:	Dangerous Games - Burning Man 2007			
	Labyrinth Cutting Detail - Base Pieces			
Units are inches	SIZE B	FSCM NO.	DWG NO.	REV A
	SCALE 1 : 16		SHEET 3 of ?	

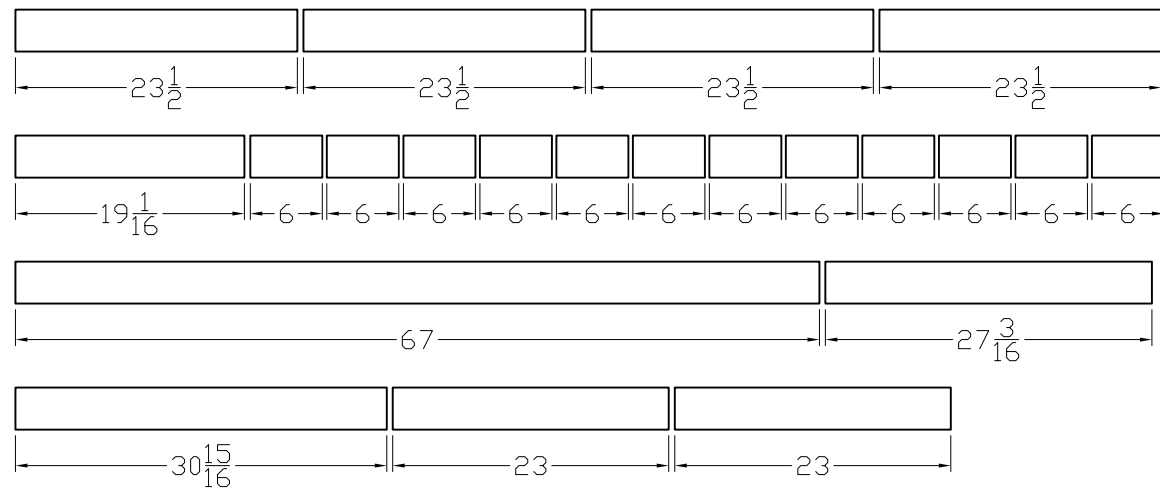


REVISIONS				
ZONE	REV	DESCRIPTION	DATE	APPROVED

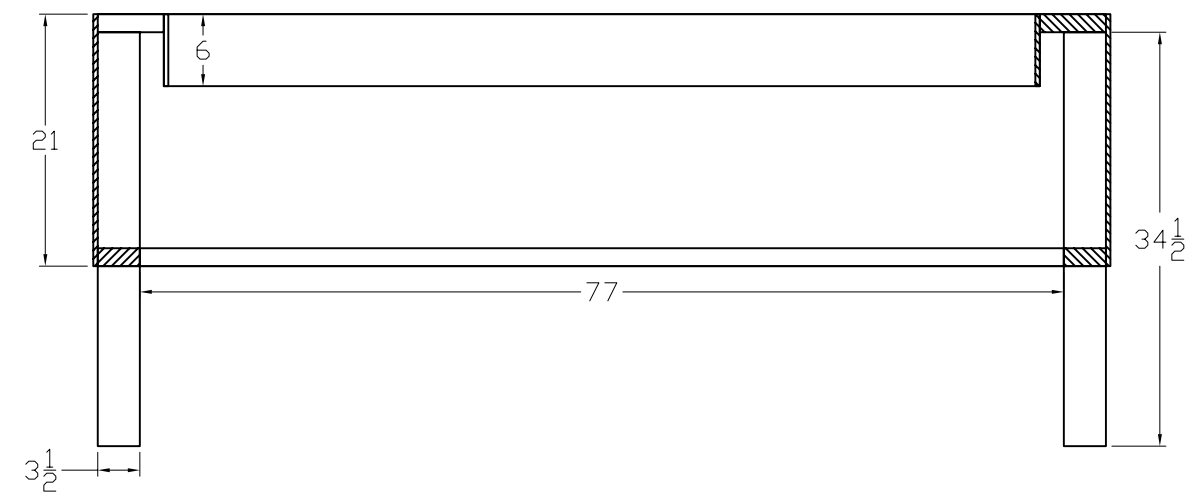
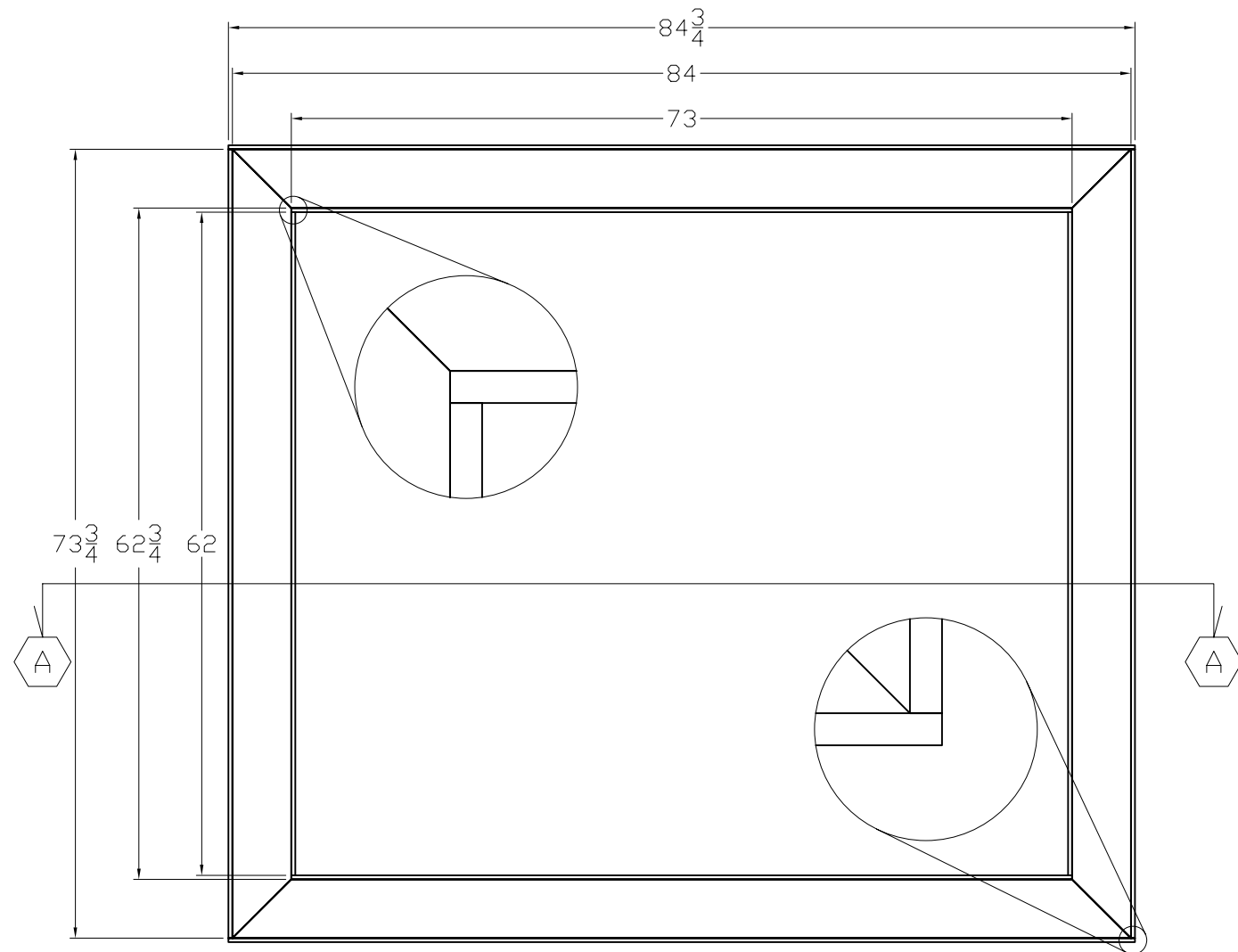
2x6s



2x4s

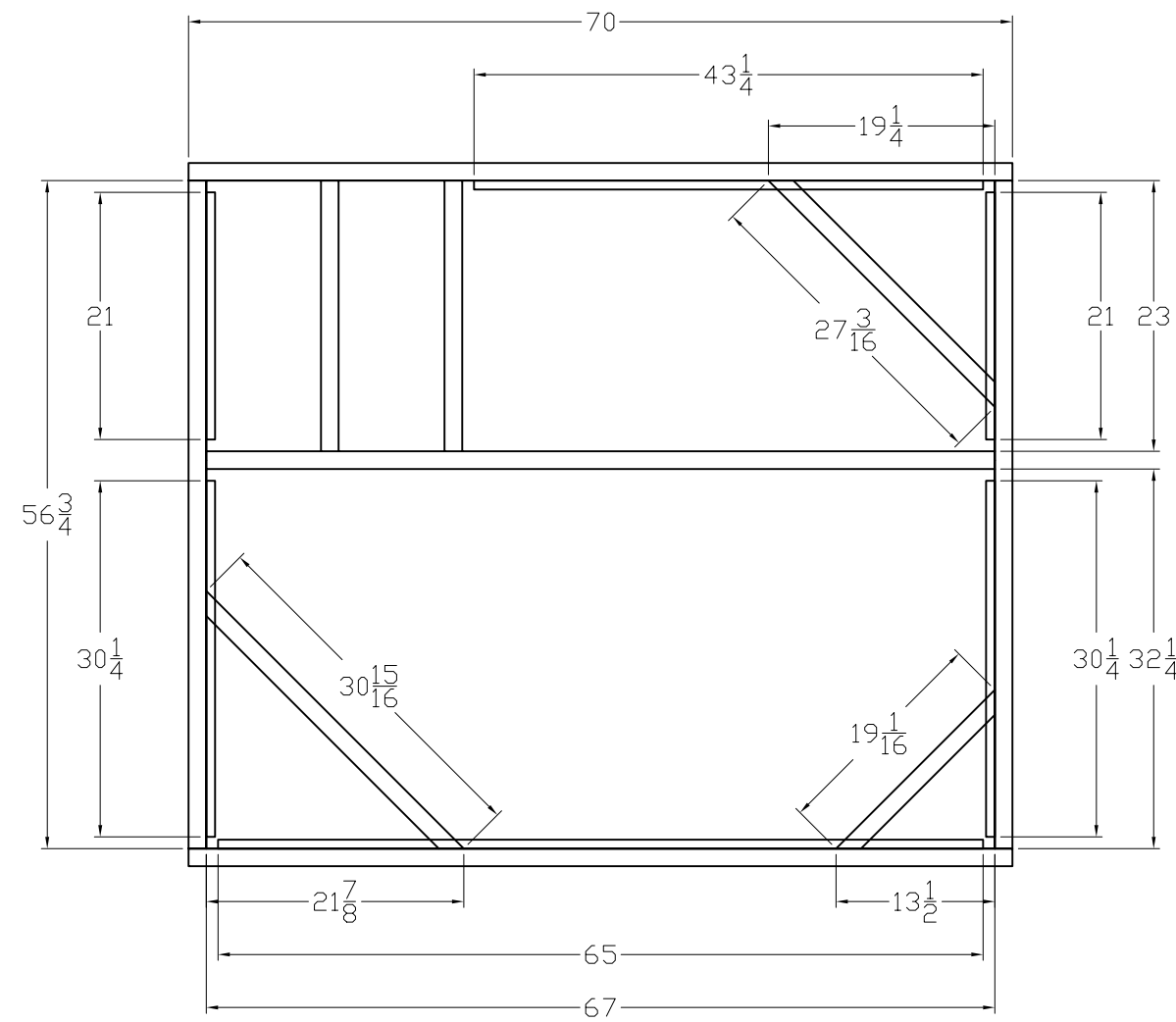


Materials: one sheet 5/8 or 3/4 ACX plywood four 8-ft 2x4s two 12-ft 2x6s	Dangerous Games - Burning Man 2007			
	Labyrinth Cutting Detail - Maze			
Units are inches	SIZE B	FSCM NO.	DWG NO.	REV A
	SCALE	1 : 16	SHEET	4 of ?

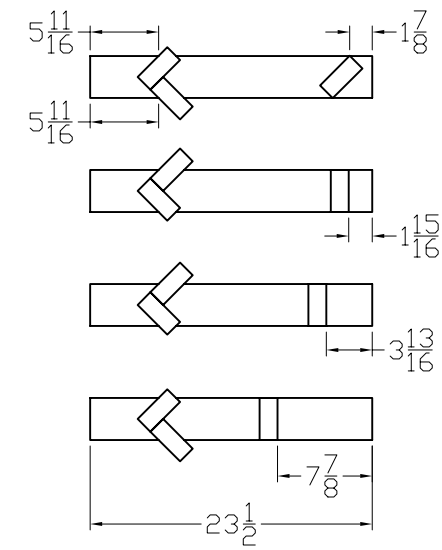


REVISIONS				
ZONE	REV	DESCRIPTION	DATE	APPROVED

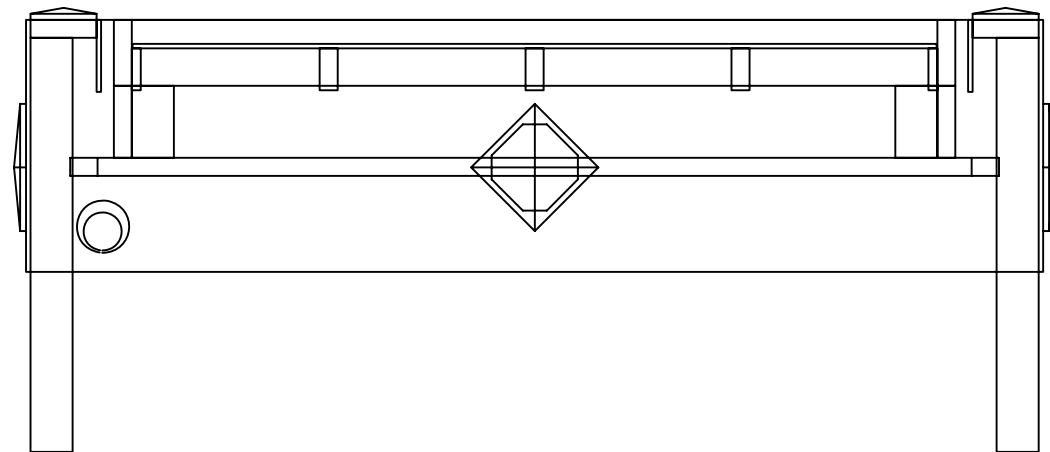
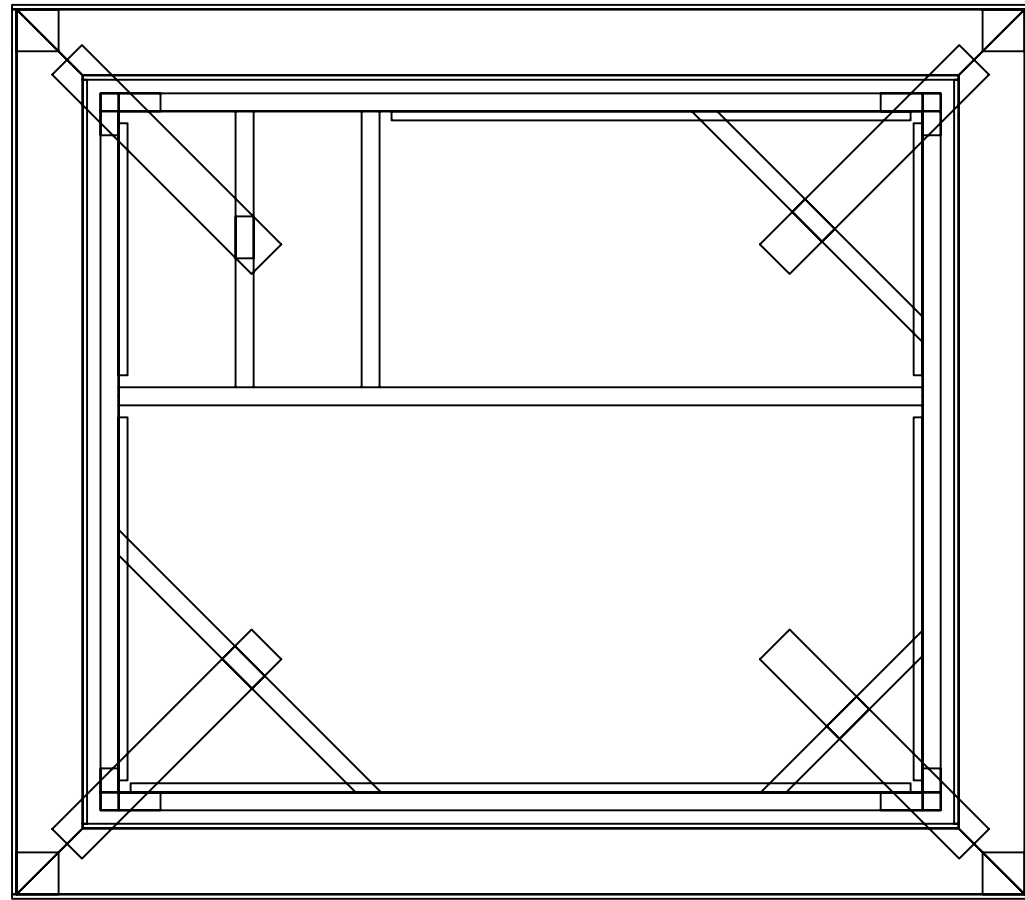
Materials: one sheet $\frac{5}{8}$ or $\frac{3}{4}$ ACX plywood four 8-ft 2x4s two 12-ft 2x6s	Dangerous Games - Burning Man 2007			
	Labyrinth Assembly - Base			
Units are inches	SIZE B	FSCM NO.	DWG NO.	REV A
	SCALE	1 : 16	SHEET	5 of ?



REVISIONS				
ZONE	REV	DESCRIPTION	DATE	APPROVED



Materials: one sheet 5/8 or 3/4 ACX plywood four 8-ft 2x4s two 12-ft 2x6s	Dangerous Games - Burning Man 2007			
	Labyrinth Assembly - Maze - Part 1			
Units are inches	SIZE B	FSCM NO.	DWG NO.	REV A
	SCALE	1 : 16	SHEET	6 of ?



REVISIONS				
ZONE	REV	DESCRIPTION	DATE	APPROVED

Materials: one sheet $\frac{5}{8}$ or $\frac{3}{4}$ ACX plywood four 8-ft 2x4s two 12-ft 2x6s	Dangerous Games - Burning Man 2007			
	Labyrinth Assembly - Maze - Part 2			
Units are inches	SIZE B	FSCM NO.	DWG NO.	REV A
	SCALE	1 : 16	SHEET	7 of ?

