

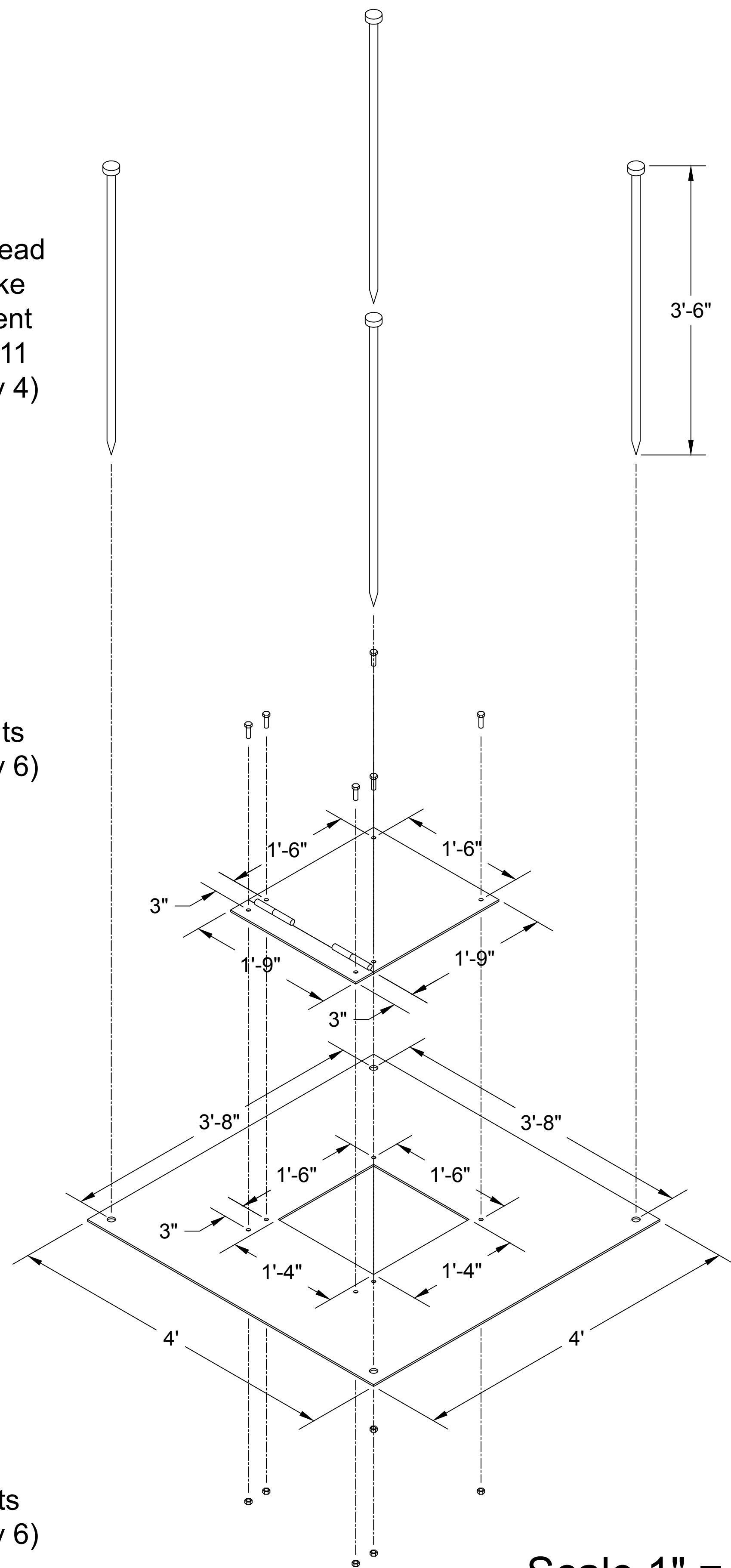
42"x 1"
Single Head
Tent Stake
Celina Tent
ACTS4211
(Quantity 4)

Grade 8
 $\frac{1}{2}$ "-13 Bolts
(Quantity 6)

Custom
Hinged
Base
 $\frac{1}{4}$ " Steel

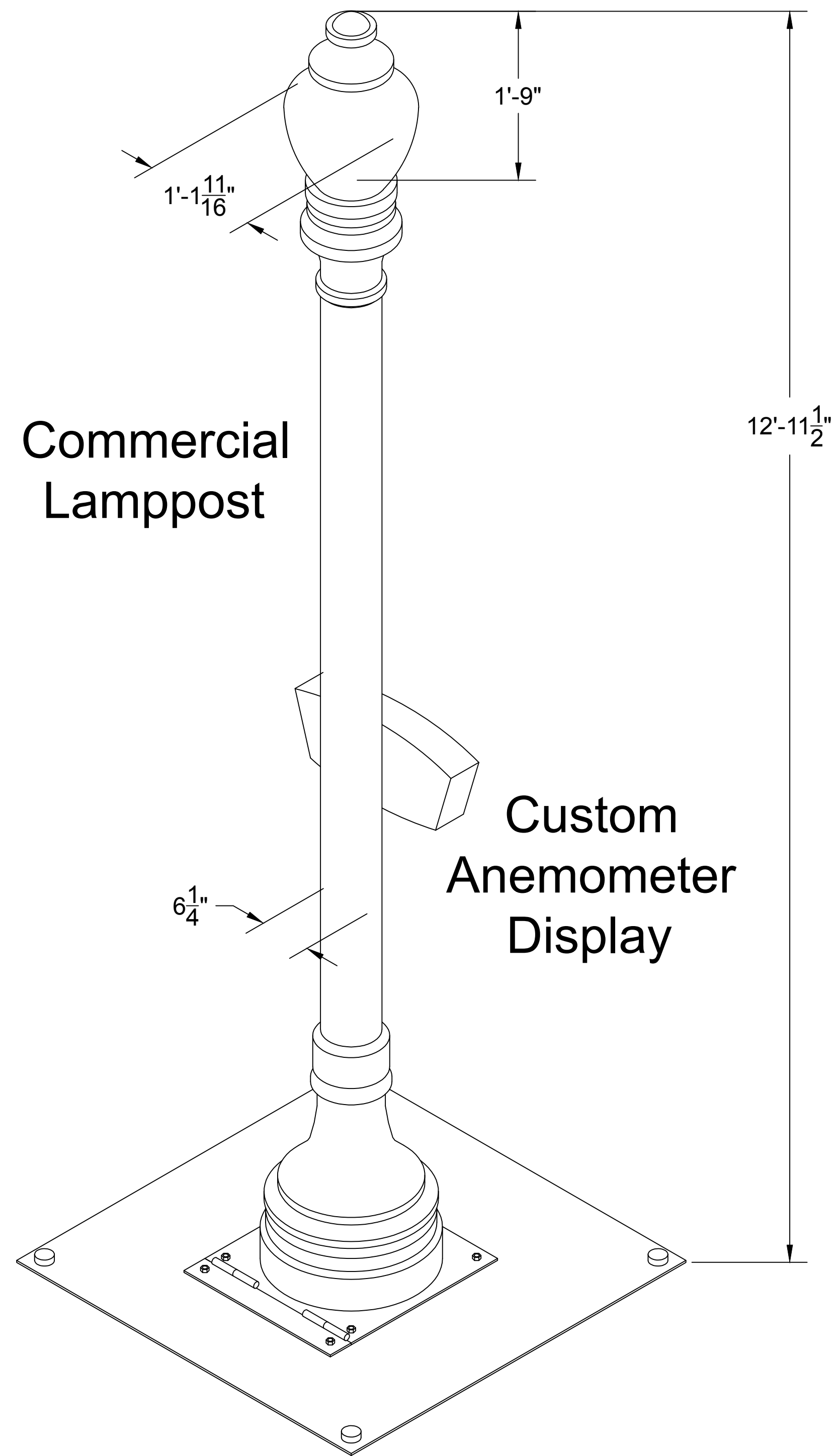
Bearing
Plate
 $\frac{1}{4}$ " Steel

Grade 8
 $\frac{1}{2}$ "-13 Nuts
(Quantity 6)



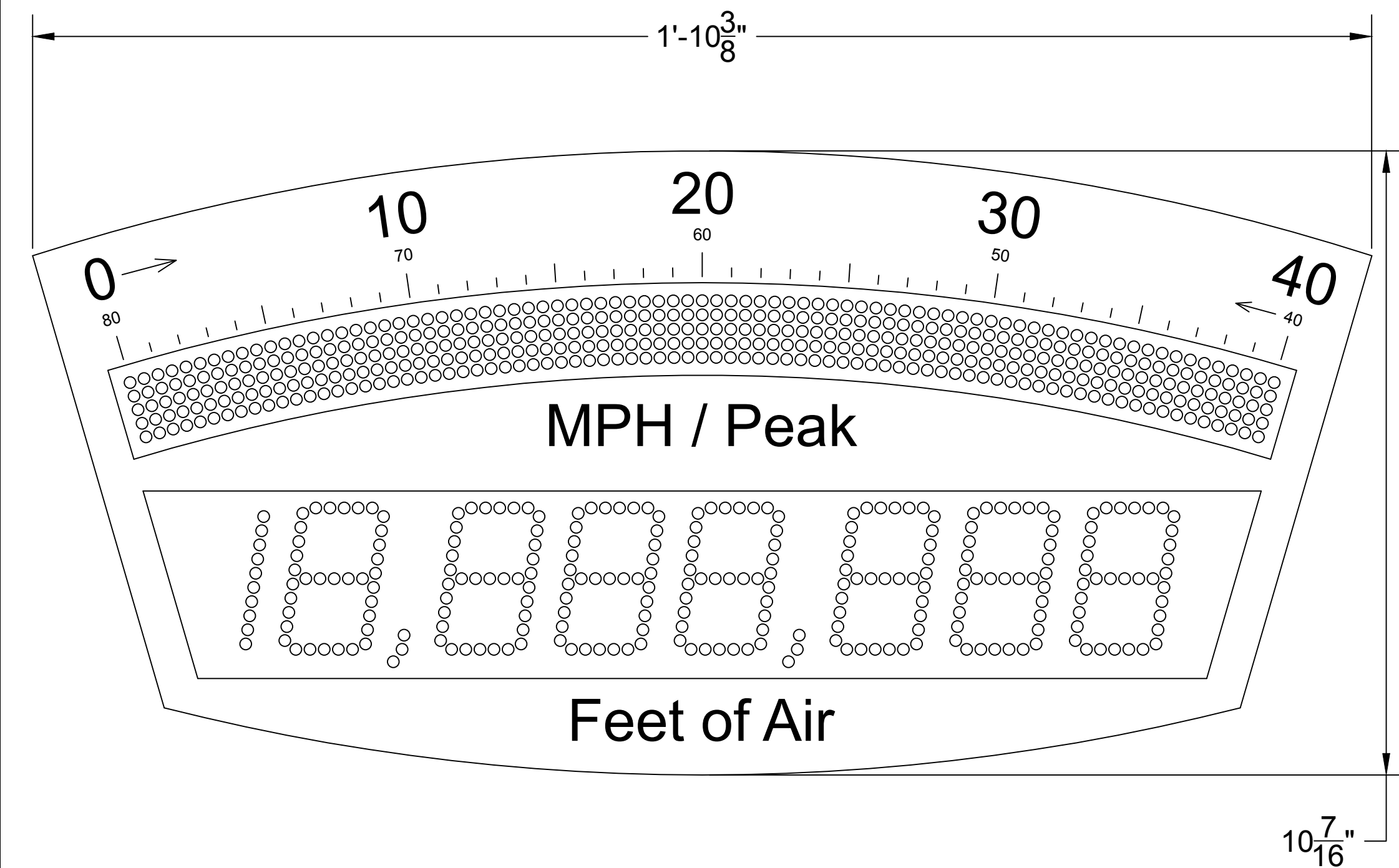
Scale 1" = 1'
Bearing Plate & Hinged Base

Anemometer
Rotor Atop
Lamppost Globe



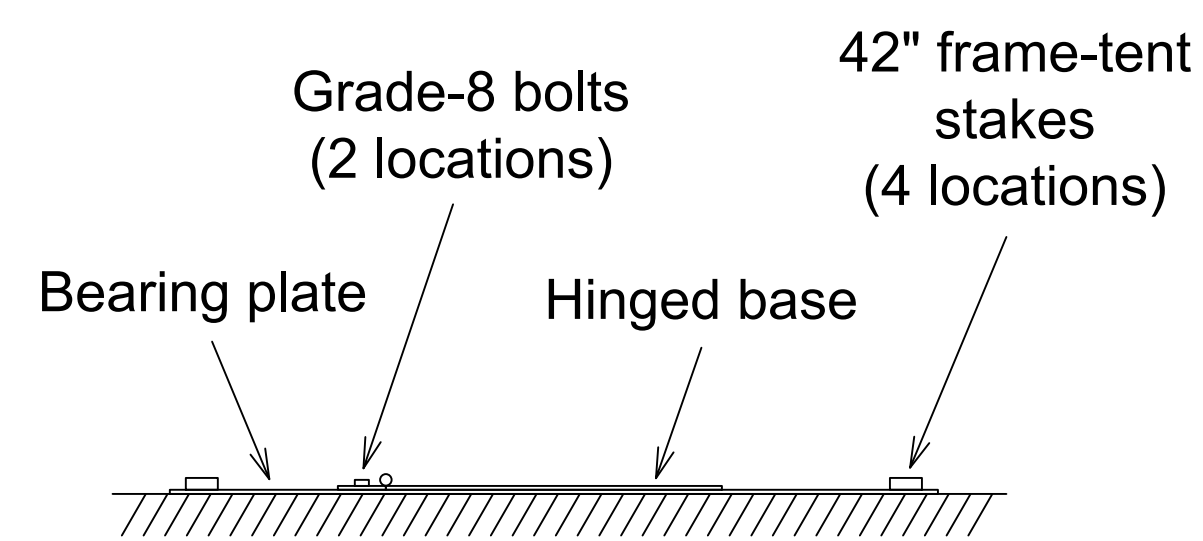
Scale 1" = 1'
Full Assembly

Bluster Architectural Drawing Kerry Veenstra



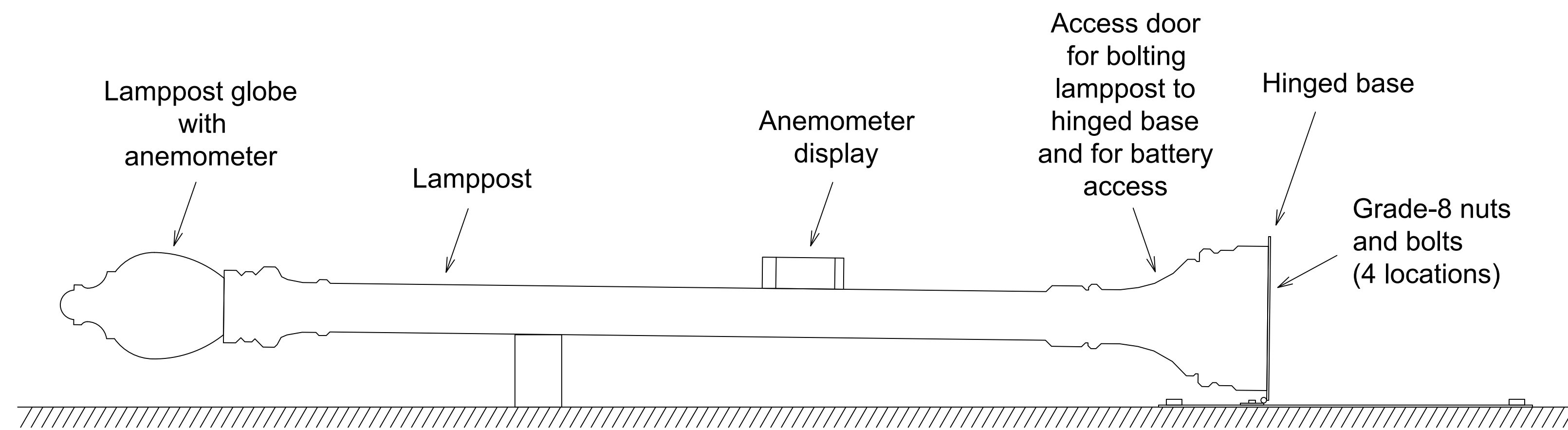
Scale 6" = 1'
Custom Anemometer Display

Bluster Installation Plan Kerry Veenstra



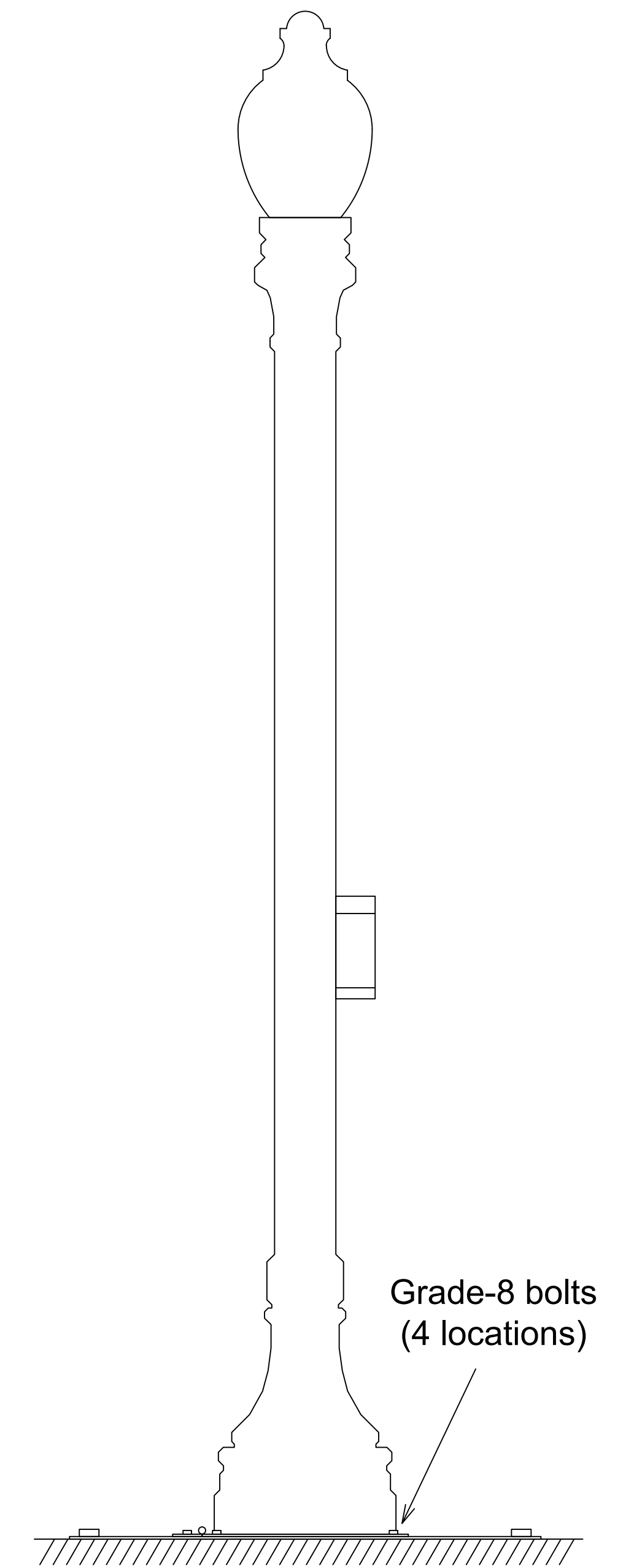
Step 1: Install the Bearing Plate

Orient the 4-foot-by-4-foot bearing plate on the playa. Affix the bearing plate to the playa with four 42"-by-1" frame-tent stakes (demolition hammer with stake-driver bit, Celina Tent ACBLSDB01). Bolt the hinged base to the bearing plate with two Grade 8 bolts. (The bearing plate has matching captive nuts to ease installation.)



Step 2: Attach the Lamppost

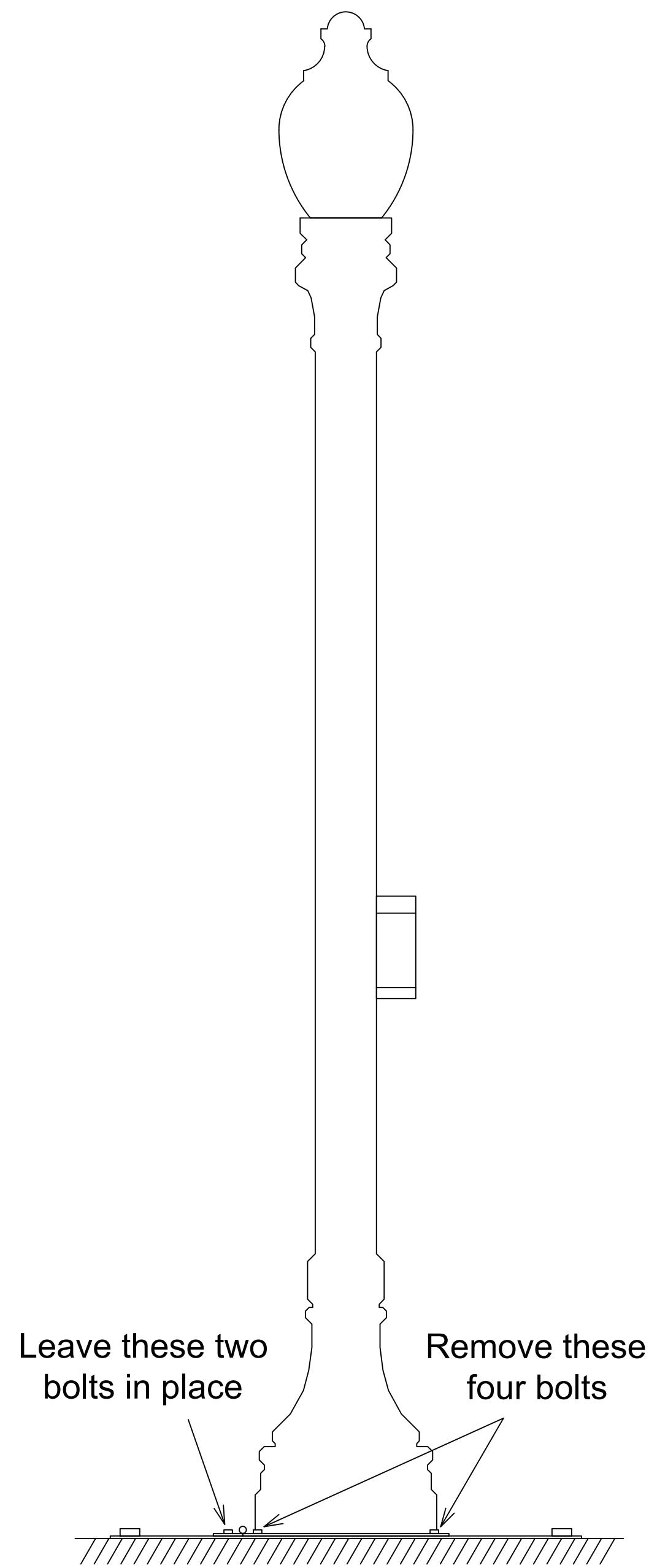
Remove the access door from the lamppost. Bolt the lamppost to the hinged base with four Grade-8 bolts and nuts. Install the battery in the base. Attach the globe to the top of the lamppost. Test the electronics.



Step 3: Raise the Lamppost

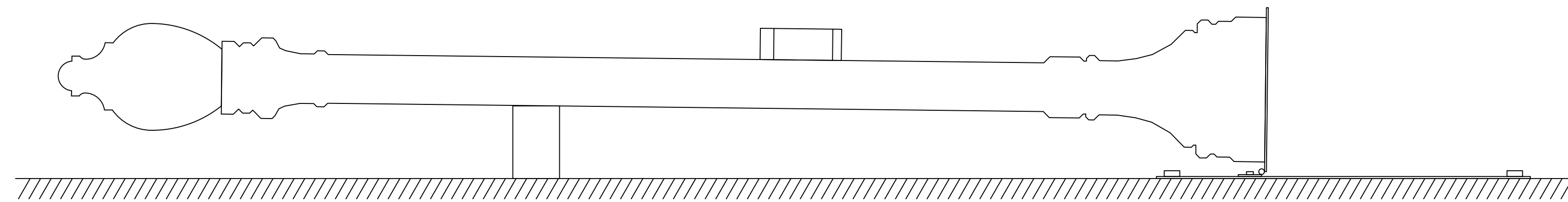
Raise the lamppost and secure it in an upright position by bolting the hinged base to the bearing plate using four Grade 8 bolts. (The bearing plate has matching captive nuts to ease installation.)

Bluster Deinstallation Plan Kerry Veenstra



Step 1: Lower the Lamppost

Remove four of the six Grade 8 bolts from the hinged base, but leave the two bolts that secure the hinge to the bearing plate. Lower the lamppost gently to the ground.



Step 2: Detach the Lamppost

Remove the globe from the top of the lamppost and remove the battery from the base. Unbolt the lamppost from the hinged base. Store everything for transport.



Step 3: Remove the Bearing Plate

Unbolt the hinged base from the bearing plate. Pull the four 42"-by-1" frame-tent stakes with a JackJaw 502 stake puller (Celina Tent JJ0502). Remove the bearing plate and store it for transport. Stomp the playa soil around the four 1" holes that were left by the frame-tent stakes. Lead the strike crew in a MOOP line around the area before departing.